



# TABLE OF CONTENTS

DESCRIPTION	FORM #	PAGE #
BEACH KING FRAME SPECIFICATION SHEET	F-113	3
BEACH KING FRAME DETAIL SHEET	F-133	4
BEACH KING TOWER SPECIFICATION SHEET	F-113B	5
BEACH KING TOWER FRAME DETAIL SHEET	F-139	6
DAKA FRAME SPECIFICATION SHEET	F-114	7
DAKA FRAME DETAIL SHEET	F-141	8
DOCKRITE FRAME SPECIFICATION SHEET	F-115	9
DOCKRITE FRAME DETAIL SHEET	F-133	10
FLOE FRAME SPECIFICATION SHEET	F-117	11
FLOE FRAME DETAIL SHEET	F-141	12
HEWITT FRAME SPECIFICATION SHEET	F-119	13
HEWITT FRAME DETAIL SHEET	F-136	14
HEWITT FLAT FRONT FRAME SPECIFICATION SHEET	F-119B	15
HEWITT FLAT FRONT FRAME DETAIL SHEET	F-133	16
HEWITT TOWER FRAME SPECIFICATION SHEET	F-119C	17
HEWITT TOWER FRAME DETAIL SHEET	F-137	18
LAKESHORE FRAME SPECIFICATION SHEET	F-120	19
LAKESHORE FRAME DETAIL SHEET	F-135	20

CONTINUED ON SHEET 2

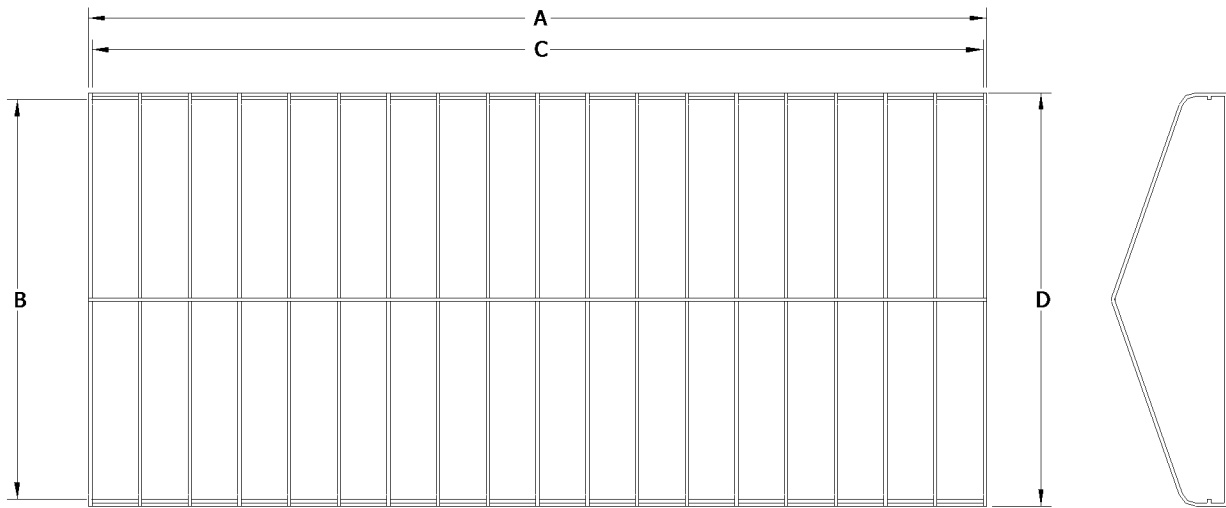


## TABLE OF CONTENTS CONTINUED

DESCRIPTION	FORM #	PAGE #
NEWMANS./LUND SPECIFICATION SHEET	F-121	21
NEWMANS/LUND FRAME DETAIL SHEET	F-138	22
PIER PLEASURE SPECIFICATION SHEET	F-122	23
PIER PLEASURE FRAME DETAIL SHEET	F-133	24
PORTADOCK SPECIFICATION SHEET	F-123	25
PORTADOCK FRAME DETAIL SHEET	F-142	26
RIDGELINE FRAME SPECIFICATION SHEET	F-124	27
RIDGELINE FRAME DETAIL SHEET	F-140	28
SEA LEGS FRAME SPECIFICATION SHEET	F-151	29
SEA LEGS FRAME DETAIL SHEET	F-133	30
SHORELINE FRAME SPECIFICATION SHEET	F-147	31
SHORELINE FRAME DETAIL SHEET	F-130	32
SHOREMASTER FRAME SPECIFICATION SHEET	F-125	33
SHOREMASTER FRAME DETAIL SHEET	F-134	34
SHOREMASTER HIP ROOF FRAME SPECIFICATION SHEET	F-125B	35
SHOREMASTER HIP ROOF FRAME DETAIL SHEET	F-131	36
SHORESTATION FRAME SPECIFICATION SHEET	F-126	37
SHORESTATION FRAME DETAIL SHEET	F-135	38
SHORESTATION MIDWEST STEEL FRAME SPECIFICATION SHEET	F-126B	39
SHORESTATION MIDWEST STEEL FRAME DETAIL SHEET	F-135	40
VIBO FRAME SPECIFICATION SHEET	F-127	41
VIBO FRAME DETAIL SHEET	F-130	42

Attn: \_\_\_\_\_

**Beach King® Frame**



**\*ALL MEASUREMENTS (±1")**

PART NO.	SIZE	OVERALL LENGTH "A"	INSIDE WIDTH "B"	SIDE RAIL LENGTH "C"	OUTSIDE WIDTH "D"
BK1300060	13' X 60"	13'	60"	12' 10"	64"
BK1300072	13' X 72"	13'	72"	12' 10"	76"
BK1900084	19' X 84"	19'	84"	18' 10"	88"
BK1900096	19' X 96"	19'	96"	18' 10"	100"
BK2100096	21' X 96"	21'	96"	20' 10"	100"
BK1900114	19' X 114"	19'	114"	18' 10"	118"
BK2100114	21' X 114"	21'	114"	20' 10"	118"
BK2300114	23' X 114"	23'	114"	22' 10"	118"
BK2400114	24' X 114"	24'	114"	23' 10"	118"
BK2600114	26' X 114"	26'	114"	25' 10"	118"
BK2900114	29' X 114"	29'	114"	28' 10"	118"
BK1300120	13' X 120"	13'	120"	12' 10"	128"
BK2300120	23' X 120"	23'	120"	22' 10"	128"
BK2400120	24' X 120"	24'	120"	23' 10"	128"
BK2600120	26' X 120"	26'	120"	25' 10"	128"
BK2900120	29' X 120"	29'	120"	28' 10"	128"
BK3200120	32' X 120"	32'	120"	31' 10"	128"
BK2900144	29' X 144"	29'	140"	28' 10"	144"

**ATTACHMENT**

The male buckle wraps around the bottom of the canopy frame while the female buckle wraps around the top of the canopy frame.

**OUTSIDE DIMENSIONS**

- A \_\_\_\_\_ OVERALL LENGTH OF FRAME
- B \_\_\_\_\_ INSIDE WIDTH OF FRAME
- C \_\_\_\_\_ LENGTH OF SIDE RAILS (W/O ENDS)
- D \_\_\_\_\_ OUTSIDE WIDTH OF FRAME

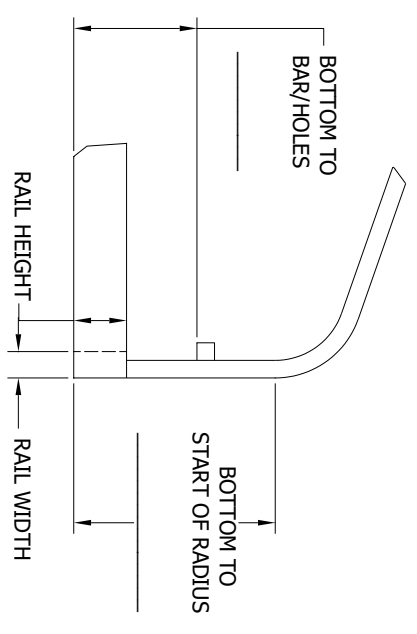
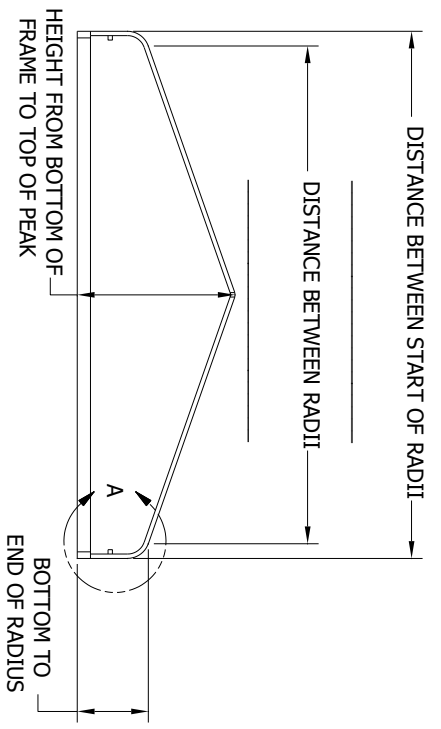
STANDARD VALANCE: 6" DROP

**\*\*If dimensions don't match above, fill out detail on next page**

**NOTES**

\_\_\_\_\_  
 \_\_\_\_\_  
 \_\_\_\_\_

REVISIONS				ISSUER
REV	ECN	DATE	DESCRIPTION	RML
A	EC-00469	10/4/2016	RELEASE	



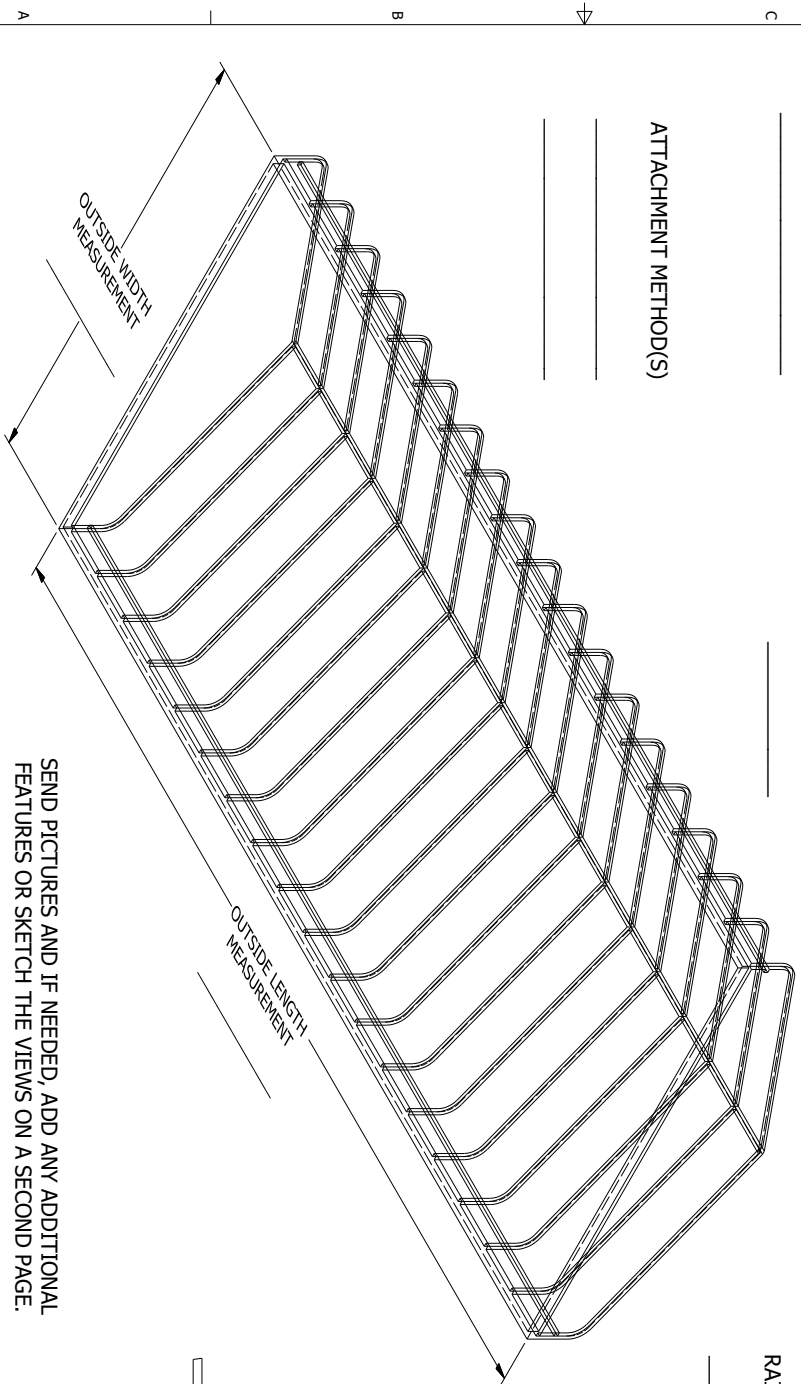
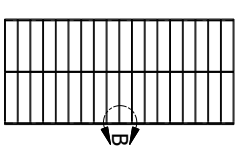
ATTACHMENT METHOD(S)

\_\_\_\_\_

\_\_\_\_\_

DETAIL A

TOTAL NUMBER OF BOWS



SEND PICTURES AND IF NEEDED, ADD ANY ADDITIONAL FEATURES OR SKETCH THE VIEWS ON A SECOND PAGE.

DETAIL B

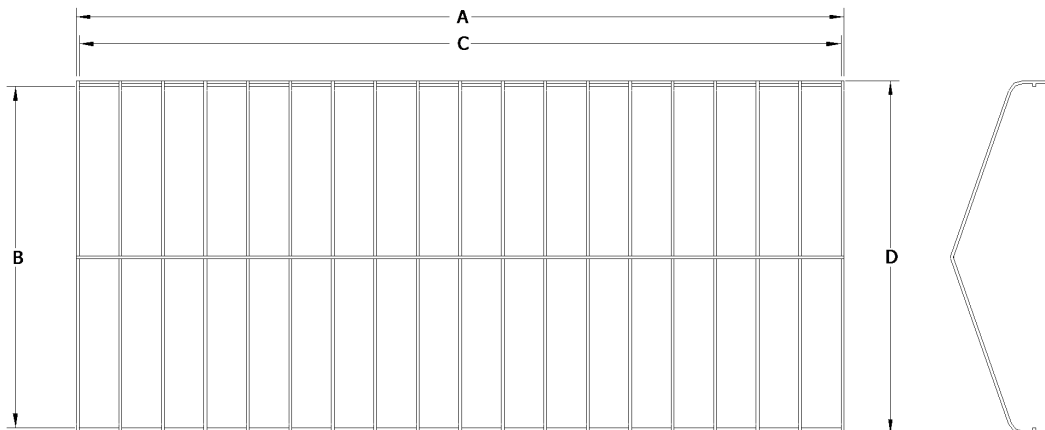
SPACING OF BOWS

TOLERANCES - UNLESS NOTED				SIZE
DECIMAL #	FRACTION #	ANGLE #		C
TITLE: <b>PEAKED FLUSHED END FRAME DETAIL SHEET</b>				
DRAWN: <b>CVG</b>	DATE: <b>10/10/2016</b>	SCALE:	SHEET: <b>1</b>	PART NO.: <b>F-133</b>
CHECKED: <b>CVG</b>	DATE: <b>10/10/2016</b>			

Attn: \_\_\_\_\_



**Beach King® Tower Frame  
Specification Sheet**



**\*ALL MEASUREMENTS (±1")**

PART NO.	SIZE	OVERALL LENGTH "A"	INSIDE WIDTH "B"	SIDE RAIL LENGTH "C"	OUTSIDE WIDTH "E"
BKT2300114	23' x 114"	23'	114"	22' 10"	118"
BKT2600114	26' x 114"	26'	114"	25' 10"	118"
BKT2300120	23' x 120"	23'	120"	22' 10"	128"
BKT2600120	26' x 120"	26'	120"	25' 10"	128"
BKT2900120	29' x 120"	29'	120"	28' 10"	128"

**ATTACHMENT**

The male buckle wraps around the bottom of the canopy frame while the female buckle wraps around the top of the canopy frame.

STANDARD VALANCE: 6" DROP

**\*\*If dimensions don't match above,  
fill out detail on next page**

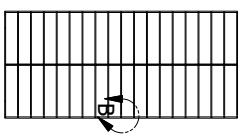
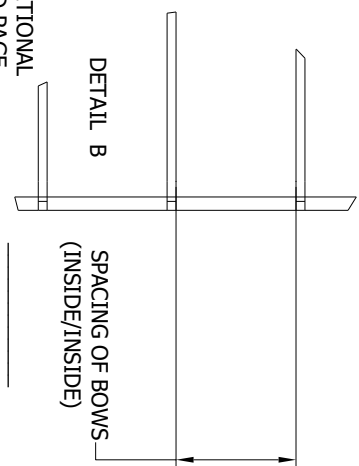
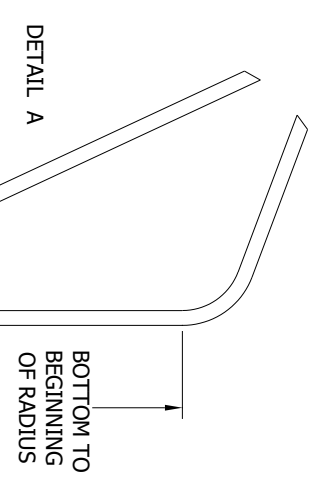
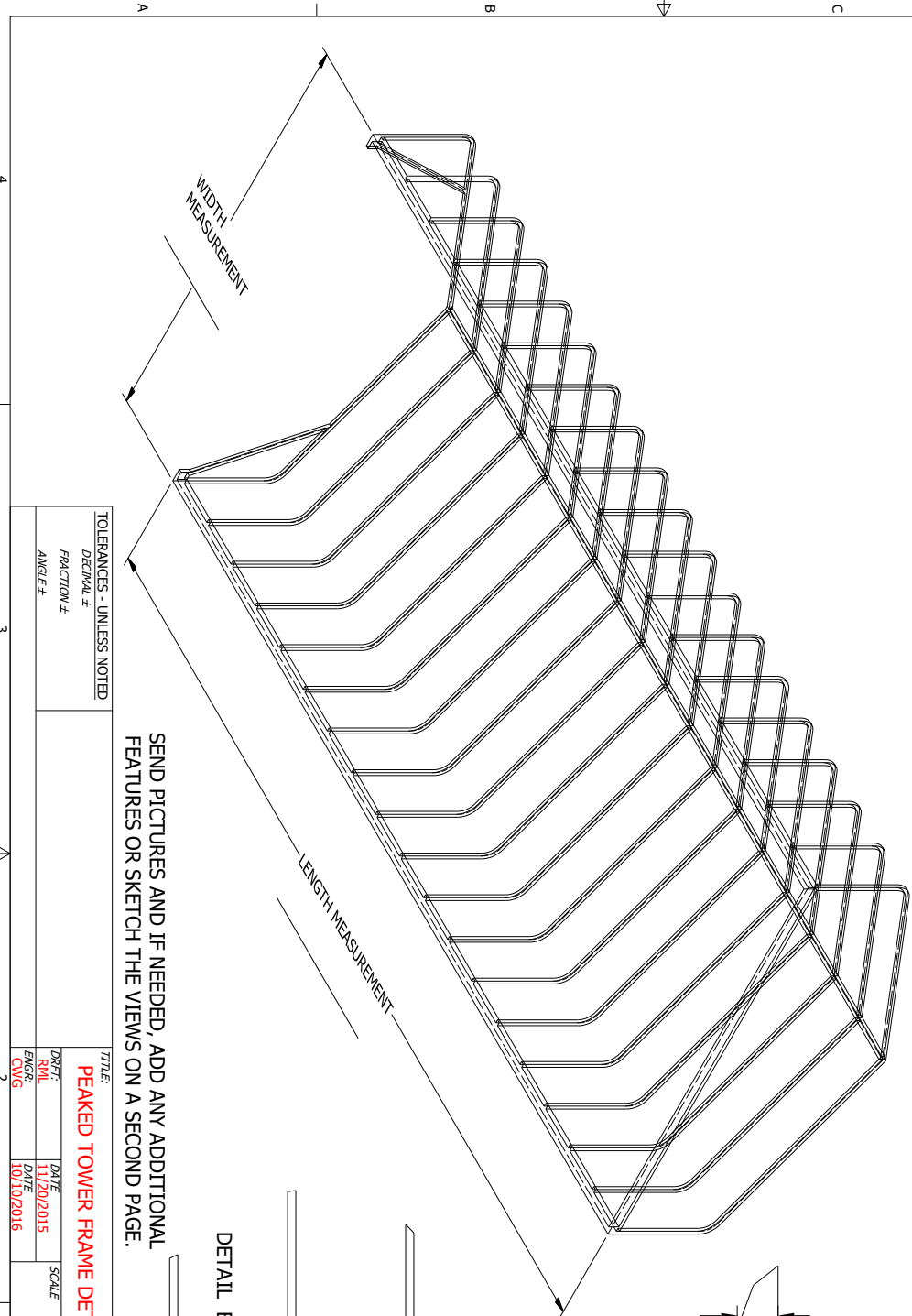
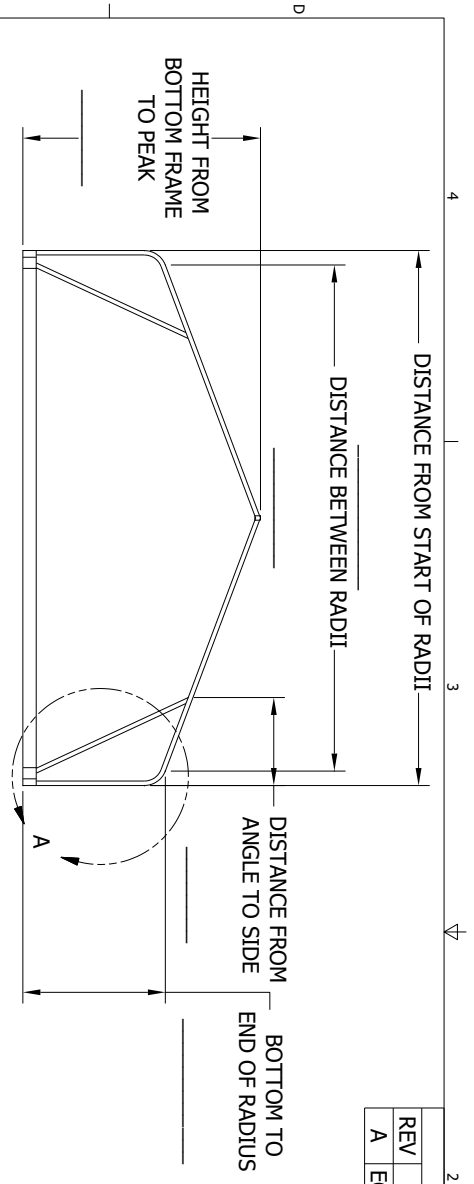
**OUTSIDE DIMENSIONS**

- A \_\_\_\_\_ OVERALL LENGTH OF FRAME
- B \_\_\_\_\_ INSIDE WIDTH OF FRAME
- C \_\_\_\_\_ LENGTH OF SIDE RAILS (W/O ENDS)
- D \_\_\_\_\_ OUTSIDE WIDTH OF FRAME

**NOTES**

\_\_\_\_\_  
 \_\_\_\_\_  
 \_\_\_\_\_

REVISIONS				ISSUER
REV	ECN	DATE	DESCRIPTION	RML
A	EC-00469	10/4/2016	RELEASE	RML

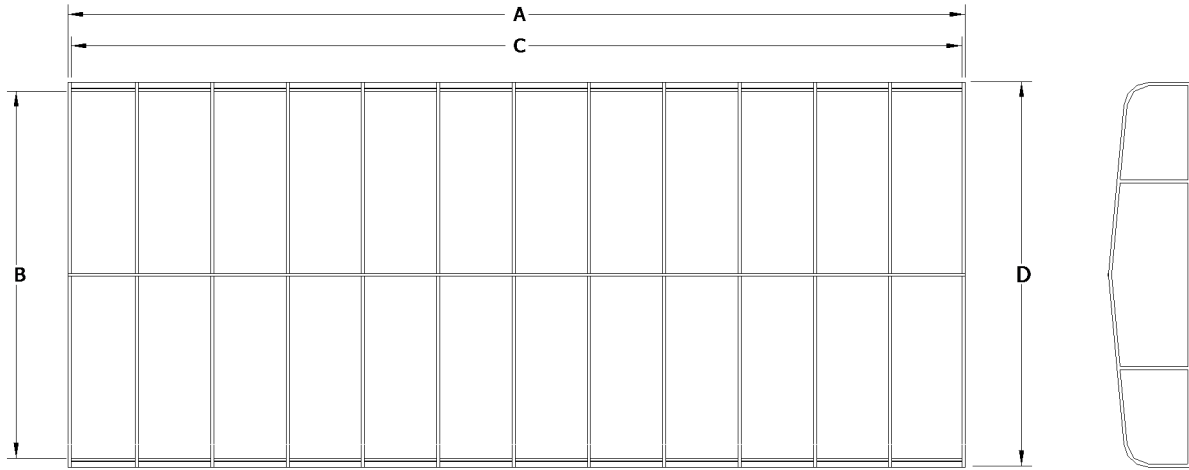


SEND PICTURES AND IF NEEDED, ADD ANY ADDITIONAL FEATURES OR SKETCH THE VIEWS ON A SECOND PAGE.

TOLERANCES - UNLESS NOTED		TITLE: <b>PEAKED TOWER FRAME DETAIL SHEET</b>		SIZE: <b>C</b>
DECIMAL #	FRACTION #	DRAWN: <b>RML</b>	DATE: <b>11/20/2015</b>	SHEET: <b>1</b>
ANGLE #		APP'D: <b>CVG</b>	SCALE: <b>1</b>	PART NO.: <b>F-139</b>

Attn: \_\_\_\_\_

**Daka® Frame Specification Sheet**



**\*ALL MEASUREMENTS (±1")**

PART NO.	SIZE	OVERALL LENGTH "A"	INSIDE WIDTH "B"	SIDE RAIL LENGTH "C"	OUTSIDE WIDTH "D"
DK2000084	20' X 84"	20'	84"	19' 10"	86"
DK2000096	20' X 96"	20'	96"	19' 10"	98"
DK2200096	22' X 96"	22'	96"	21' 10"	98"
DK2400096	24' X 96"	24'	96"	23' 10"	98"
DK2600096	26' X 96"	26'	96"	25' 10"	98"
DK2800096	28' X 96"	28'	96"	27' 10"	98"
DK3000096	30' X 96"	30'	96"	29' 10"	98"
DK2200108	22' X 108"	22'	108"	21' 10"	110"
DK2000115	20' X 115"	20'	115"	19' 10"	117"
DK2200115	22' X 115"	22'	115"	21' 10"	117"
DK2400115	24' X 115"	24'	115"	23' 10"	117"
DK2600115	26' X 115"	26'	115"	25' 10"	117"
DK2800115	28' X 115"	28'	115"	27' 10"	117"
DK3000115	30' X 115"	30'	115"	29' 10"	117"
DK2400120	24' x 120"	24'	121"	23' 10"	125"
DK2600120	26' X 120"	26'	121"	25' 10"	125"
DK2800120	28' X 120"	28'	121"	27' 10"	125"

**ATTACHMENT**

STANDARD VALANCE: 12" VALANCE

**OUTSIDE DIMENSIONS**

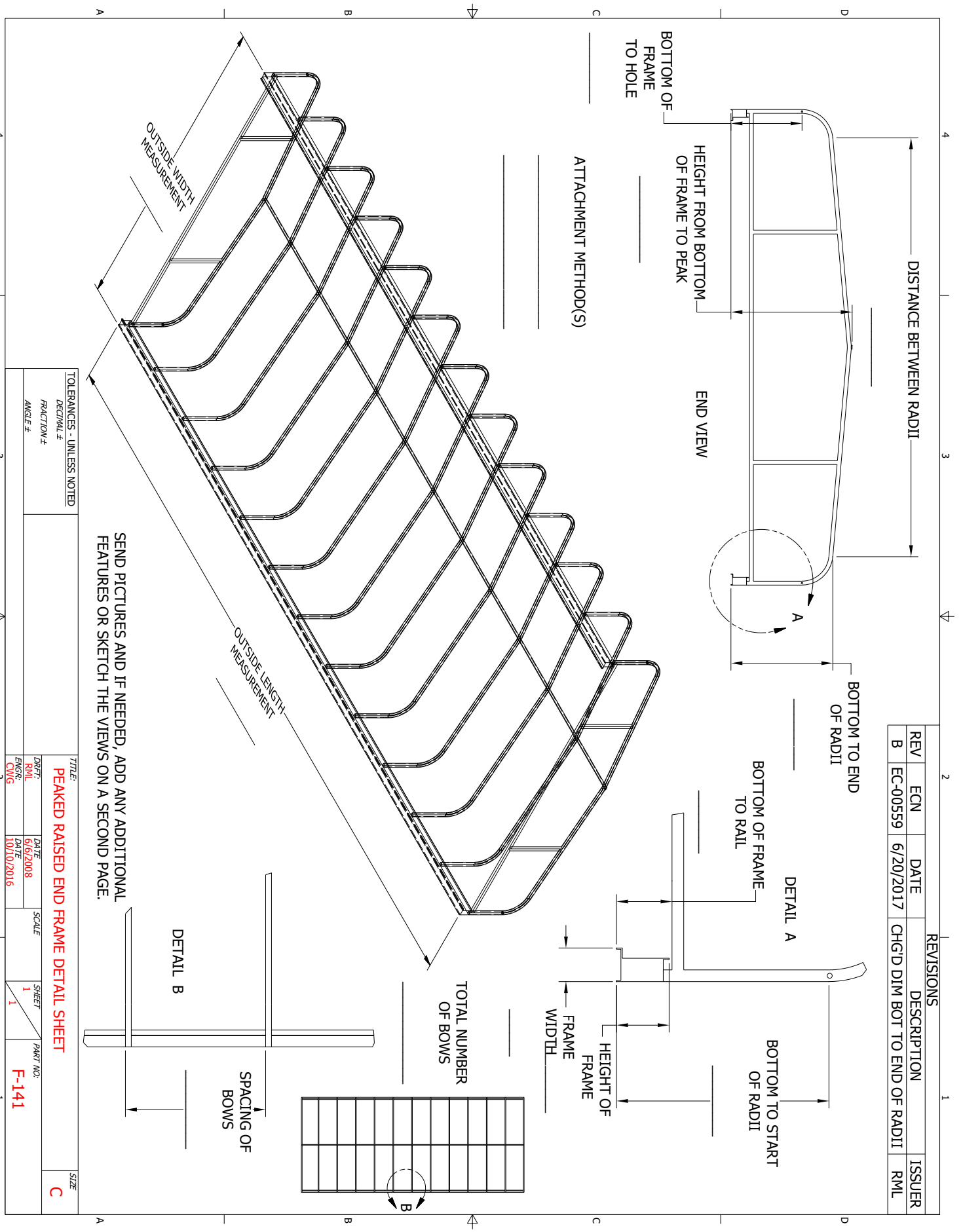
- A \_\_\_\_\_ OVERALL LENGTH OF FRAME
- B \_\_\_\_\_ INSIDE WIDTH OF FRAME
- C \_\_\_\_\_ LENGTH OF SIDE RAILS (W/O ENDS)
- D \_\_\_\_\_ OUTSIDE WIDTH OF FRAME

**\*\*If dimensions don't match above, fill out detail on next page**

**NOTES**

\_\_\_\_\_  
 \_\_\_\_\_  
 \_\_\_\_\_

REVISIONS				ISSUER
REV	ECN	DATE	DESCRIPTION	RML
B	EC-00559	6/20/2017	CHG'D DIM BOT TO END OF RADI	RML



SEND PICTURES AND IF NEEDED, ADD ANY ADDITIONAL FEATURES OR SKETCH THE VIEWS ON A SECOND PAGE.

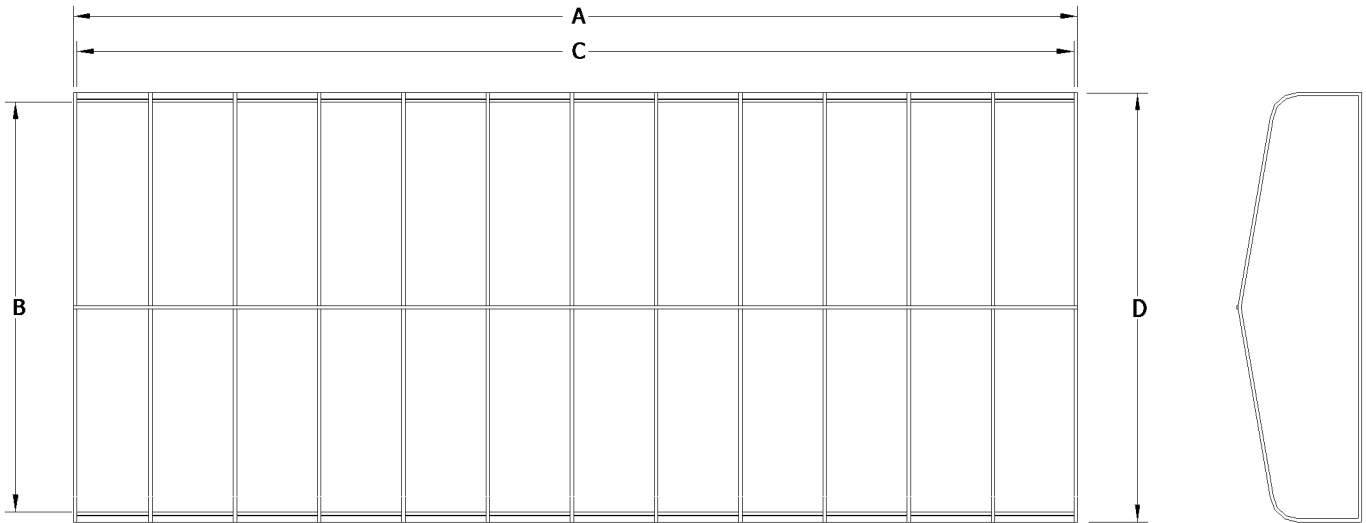
TOLERANCES - UNLESS NOTED		TITLE: <b>PEAKED RAISED END FRAME DETAIL SHEET</b>		SIZE: <b>C</b>
DECIMAL #	FRACTION #	DATE	SCALE	SHEET
		6/6/2008		1
ANGLE #		DATE		1
		10/10/2016		1
		DRFT: <b>RML</b>		PART NO.: <b>F-141</b>
		ENGR: <b>CMG</b>		



Attn: \_\_\_\_\_



**Dock Rite® USA Frame  
Specification Sheet**



**\*ALL MEASUREMENTS (±1")**

PART NO.	SIZE	OVERALL LENGTH "A"	INSIDE WIDTH "B"	SIDE RAIL LENGTH "C"	OUTSIDE WIDTH "D"
DR1200064	12' X 64"	12'	64"	11' 10"	69"
DR1200075	12' X 75"	12'	75"	12'	80"
DR1900084	19' X 84"	19'	84"	19'	89"
DR2100096	21' X 96"	21'	96"	20' 10"	101"
DR2200114	22' X 114"	22'	114"	21' 10"	119"
DR2300114	23' X 114"	23'	114"	22' 10"	119"
DR2400114	24' X 114"	24'	114"	23' 10"	119"
DR2600114	26' X 114"	26'	114"	25' 10"	119"
DR2200120	22' X 120"	22'	120"	21' 10"	125"
DR2300120	23' X 120"	23'	120"	22' 10"	125"
DR2400120	24' X 120"	24'	120"	23' 10"	125"
DR2600120	26' X 120"	26'	120"	25' 10"	125"
DR2800120	28' X 120"	28'	120"	27' 10"	125"
DR3000120	30' X 120"	30'	120"	29' 10"	125"

**ATTACHMENT**

Hook bungees wrap around each bow on the sides

STANDARD VALANCE: 12" VALANCE

**OUTSIDE DIMENSIONS**

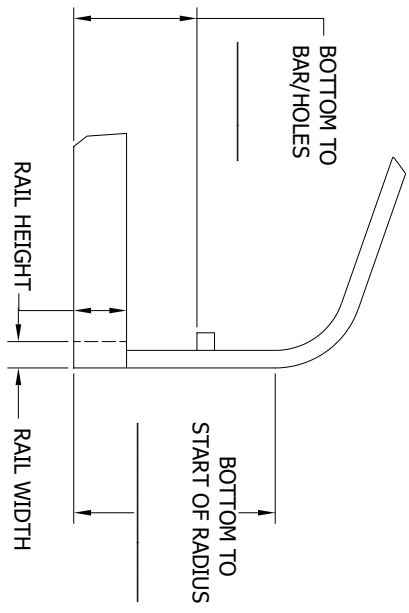
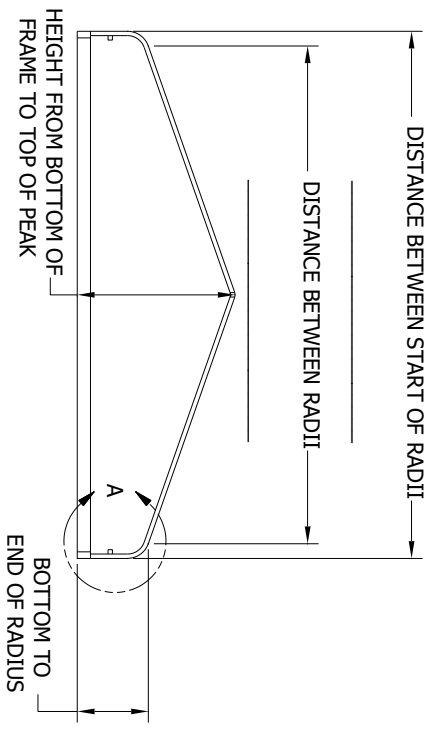
- A \_\_\_\_\_ OVERALL LENGTH OF FRAME
- B \_\_\_\_\_ INSIDE WIDTH OF FRAME
- C \_\_\_\_\_ LENGTH OF SIDE RAILS (W/O ENDS)
- D \_\_\_\_\_ OUTSIDE WIDTH OF FRAME

**\*\*If dimensions don't match above,  
fill out detail on next page**

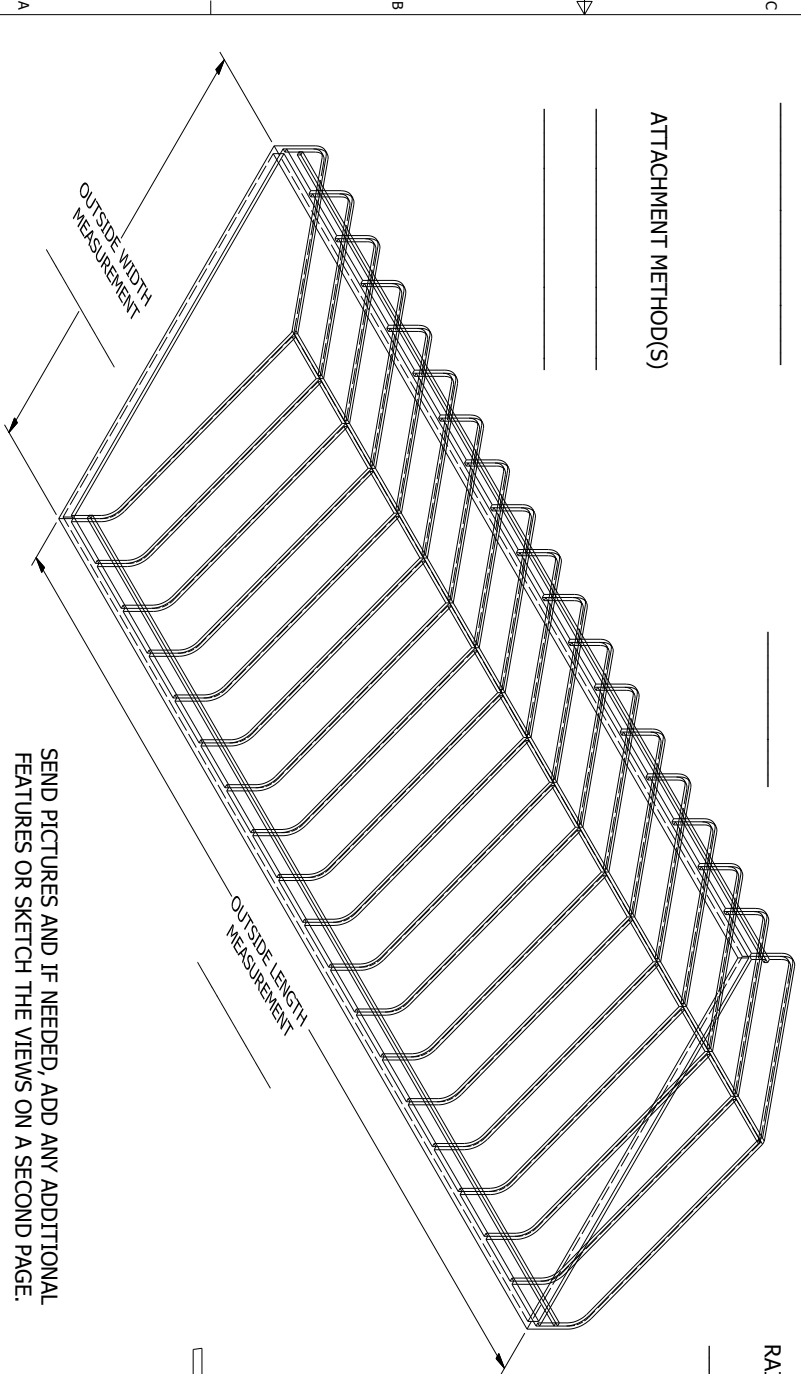
**NOTES**

\_\_\_\_\_  
\_\_\_\_\_  
\_\_\_\_\_

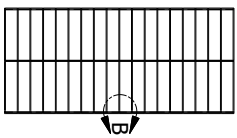
REV		ECN	DATE	REVISIONS	DESCRIPTION	ISSUER
A		EC-00469	10/4/2016	RELEASE		RML



ATTACHMENT METHOD(S)

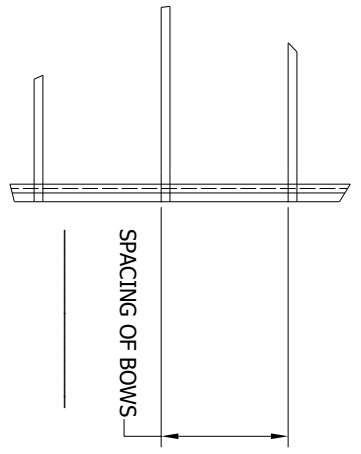


TOTAL NUMBER OF BOWS



SEND PICTURES AND IF NEEDED, ADD ANY ADDITIONAL FEATURES OR SKETCH THE VIEWS ON A SECOND PAGE.

DETAIL B



TOLERANCES - UNLESS NOTED

DECIMAL #  
FRACTION #  
ANGLE #

**PEAKED FLUSHED END FRAME DETAIL SHEET**

DATE: 10/4/2016  
DRAWN BY: CWS  
DATE: 10/10/2016  
ENGR: CWS

SCALE

SHEET 1

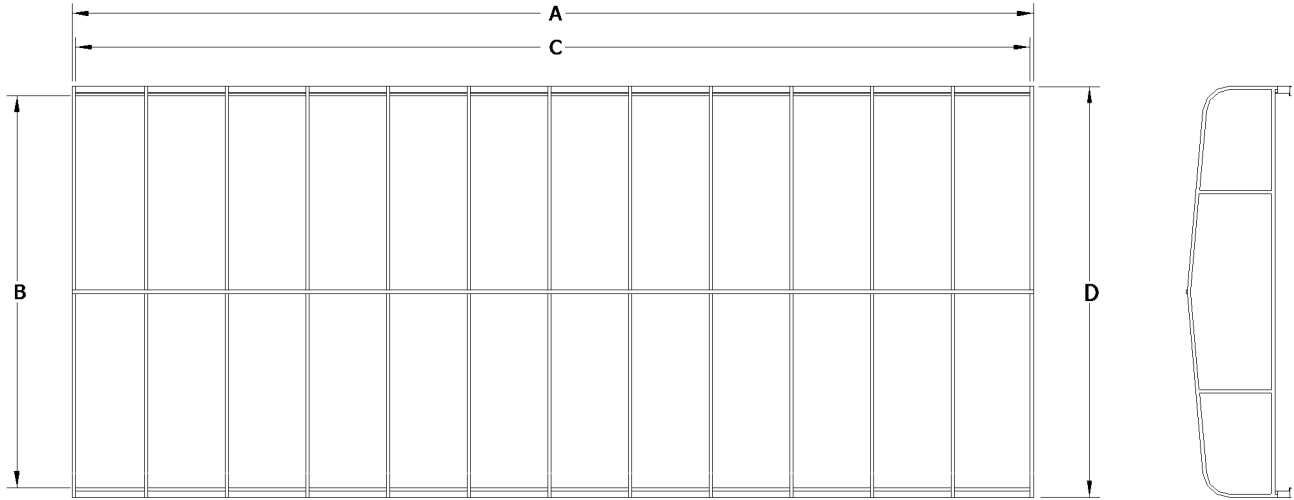
PART NO: F-133

SIZE C

Attn: \_\_\_\_\_



**Floe Frame Specification Sheet**



**\*ALL MEASUREMENTS (±1")**

PART NO.	SIZE	OVERALL LENGTH "A"	INSIDE WIDTH "B"	SIDE RAIL LENGTH "C"	OUTSIDE WIDTH "D"
FL2000096	20' X 96"	19' 10"	102 1/2"	19' 10"	96 1/2"
FL2200096	22' X 96"	21' 10"	102 1/2"	21' 10"	96 1/2"
FL2400096	24' X 96"	23' 10"	102 1/2"	23' 10"	96 1/2"
FL2600096	26' X 96"	25' 10"	102 1/2"	25' 10"	96 1/2"
FL2000108	20' X 108"	19' 10"	108"	19' 10"	113 3/4"
FL2200108	22' X 108"	21' 10"	108"	21' 10"	113 3/4"
FL2400108	24' X 108"	23' 10"	108"	23' 10"	113 3/4"
FL2600108	26' X 108"	25' 10"	108"	25' 10"	113 3/4"
FL1200116	12' X 116"	11' 10"	116 1/2"	11' 10"	122 1/4"
FL1400116	14' X 116"	13' 10"	116 1/2"	13' 10"	122 1/4"
FL2000116	20' X 116"	19' 10"	116 1/2"	19' 10"	122 1/4"
FL2200116	22' X 116"	21' 10"	116 1/2"	21' 10"	122 1/4"
FL2400116	24' X 116"	23' 10"	116 1/2"	23' 10"	122 1/4"
FL2600116	26' X 116"	25' 10"	116 1/2"	25' 10"	122 1/4"
FL2800116	28' X 116"	27' 10"	116 1/2"	27' 10"	122 1/4"
FL3000116	30' X 116"	29' 10"	116 1/2"	29' 10"	122 1/4"
FL3200116	32' X 116"	31' 10"	116 1/2"	31' 10"	122 1/4"
FL2200120	22' X 120"	21' 10"	120 1/2"	21' 10"	126 1/4"
FL2400120	24' X 120"	23' 10"	120 1/2"	23' 10"	126 1/4"
FL2600120	26' X 120"	25' 10"	120 1/2"	25' 10"	126 1/4"
FL2800120	28' X 120"	27' 10"	120 1/2"	27' 10"	126 1/4"
FL3000120	30' X 120"	29' 10"	120 1/2"	29' 10"	126 1/4"
FL3200120	32' X 120"	31' 10"	120 1/2"	31' 10"	126 1/4"
FL3400120	34' X 120"	33' 10"	120 1/2"	33' 10"	126 1/4"

**ATTACHMENT**

Ball bungees wrap around each bow on the sides

Velcro straps wrap around the bottom of the end frame

STANDARD VALANCE: 11" VALANCE

**OUTSIDE DIMENSIONS**

- A \_\_\_\_\_ OVERALL LENGTH OF FRAME
- B \_\_\_\_\_ INSIDE WIDTH OF FRAME
- C \_\_\_\_\_ LENGTH OF SIDE RAILS (W/O ENDS)
- D \_\_\_\_\_ OUTSIDE WIDTH OF FRAME

**NOTES**

---

---

---

---

---

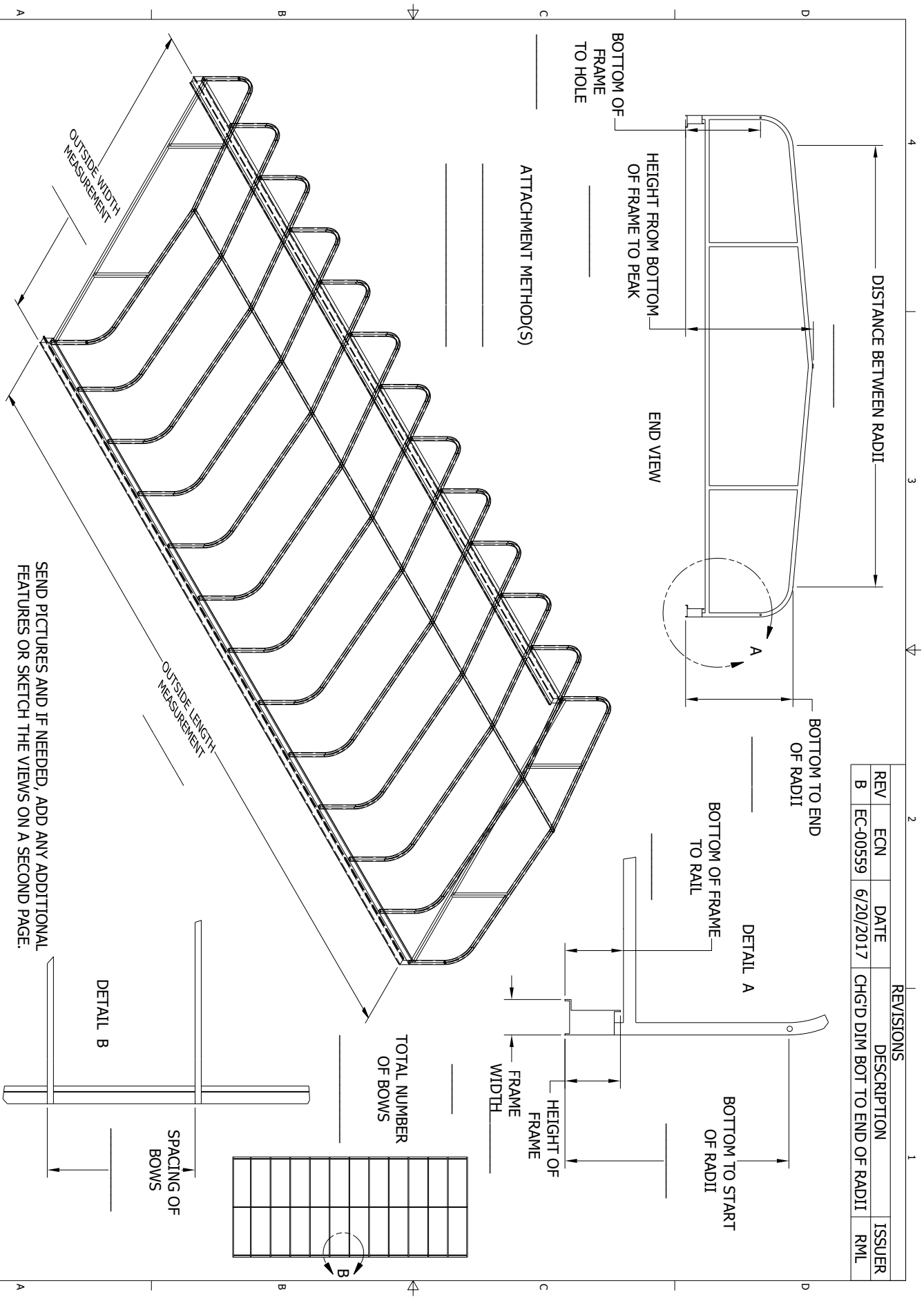
---

---

---

**\*\*If dimensions don't match above, fill out detail on next page**

REVISIONS				ISSUER
REV	ECN	DATE	DESCRIPTION	RML
B	EC-00559	6/20/2017	CHG'D DIM BOT TO END OF RADII	RML

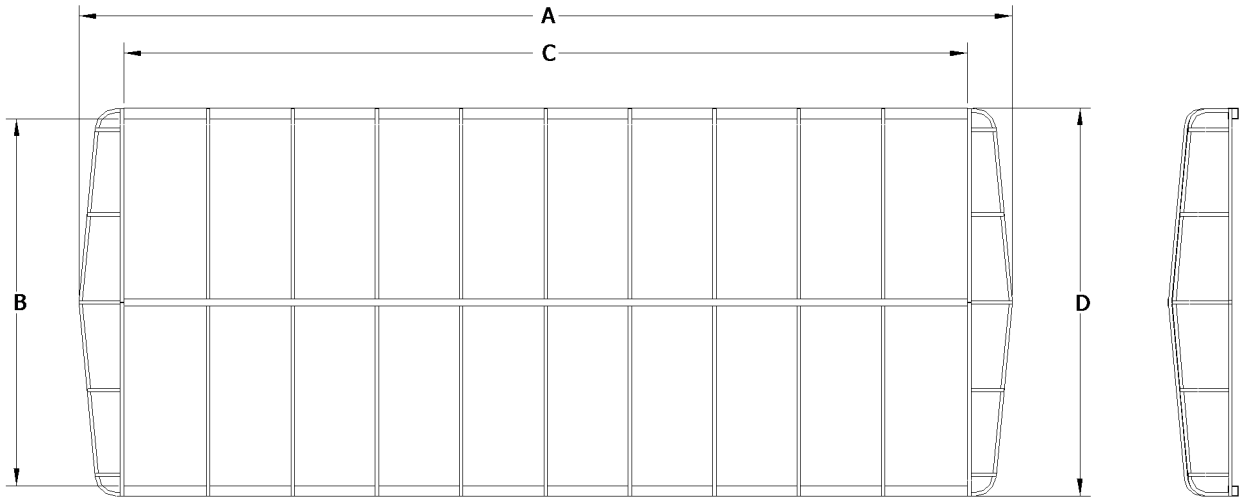


SEND PICTURES AND IF NEEDED, ADD ANY ADDITIONAL FEATURES OR SKETCH THE VIEWS ON A SECOND PAGE.

TOLERANCES - UNLESS NOTED		TITLE: <b>PEAKED RAISED END FRAME DETAIL SHEET</b>		SIZE: <b>C</b>
DECIMAL #	FRACTION #	DATE	SCALE	SHEET
		6/6/2008		1
ANGLE #		DATE		1
		10/10/2016		1
		DRFT: <b>RML</b>	SCALE	PART NO.: <b>F-141</b>
		ENGR: <b>CMG</b>		

Attn: \_\_\_\_\_

**Hewitt Flared Front Frame  
Specification Sheet**



**\*ALL MEASUREMENTS (±1")**

PART NO. FLARED FRONT	SIZE	OVERALL LENGTH "A"	INSIDE WIDTH "B"	SIDE RAIL LENGTH "C"	OUTSIDE WIDTH "D"
HW2200100	22' X 100"	22'	94 1/2"	20'	100 1/2"
HW2400100	24' X 100"	24'	94 1/2"	22'	100 1/2"
HW2600100	26' X 100"	26'	94 1/2"	24'	100 1/2"
HW3000100	30' X 100"	30'	94 1/2"	28'	100 1/2"
HW2200110	22' X 110"	22'	104 1/2"	20'	110 1/2"
HW2400110	24' X 110"	24'	104 1/2"	22'	110 1/2"
HW2600110	26' X 110"	26'	104 1/2"	24'	110 1/2"
HW2800110	28' X 110"	28'	104 1/2"	26'	110 1/2"
HW3000110	30' X 110"	30'	104 1/2"	28'	110 1/2"
HW2300120	23' X 120"	23'	114"	20'	120"
HW2500120	25' X 120"	25'	114"	22'	120"
HW2700120	27' X 120"	27'	114"	24'	120"
HW2900120	29' X 120"	29'	114"	26'	120"
HW3100120	31' X 120"	31'	114"	28'	120"
HW2300138	23' X 138"	23' 3"	132"	20'	138"
HW2500138	25' X 138"	25' 3"	132"	22'	138"
HW2700138	27' X 138"	27' 3"	132"	24'	138"
HW2900138	29' X 138"	29' 3"	132"	26'	138"
HW3100138	31' X 138"	31' 3"	132"	28'	138"
HW3300138	33' X 138"	33' 3"	132"	30'	138"
HW3500138	35' X 138"	35' 3"	132"	32'	138"
HW3700138	37' X 138"	37' 3"	132"	34'	138"
HW4200138	42' X 138"	42' 3"	132"	39'	138"
HW4500138	45' X 138"	45' 3"	132"	42'	138"

**ATTACHMENT**

Ball bungees wrap around each bow on the sides

Hooked bungees attach to a ring welded to each bow on the ends

STANDARD VALANCE: 12" VALANCE

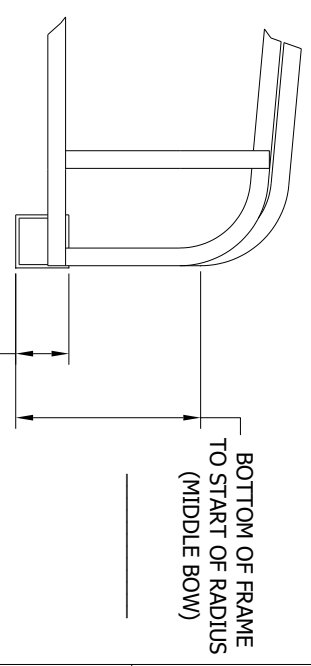
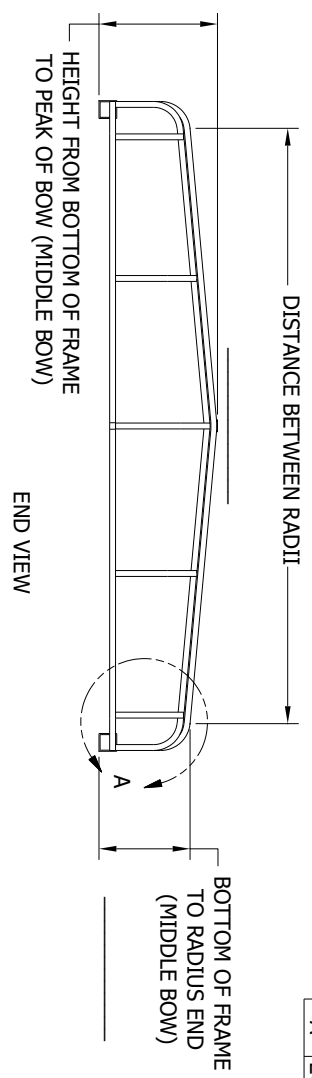
**OUTSIDE DIMENSIONS**

- A \_\_\_\_\_ OVERALL LENGTH OF FRAME
- B \_\_\_\_\_ INSIDE WIDTH OF FRAME
- C \_\_\_\_\_ LENGTH OF SIDE RAILS  
(W/O ENDS)
- D \_\_\_\_\_ OUTSIDE WIDTH OF FRAME

**NOTES**

\_\_\_\_\_  
\_\_\_\_\_  
\_\_\_\_\_

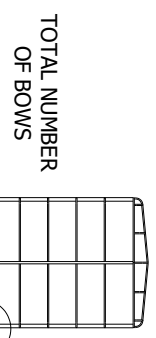
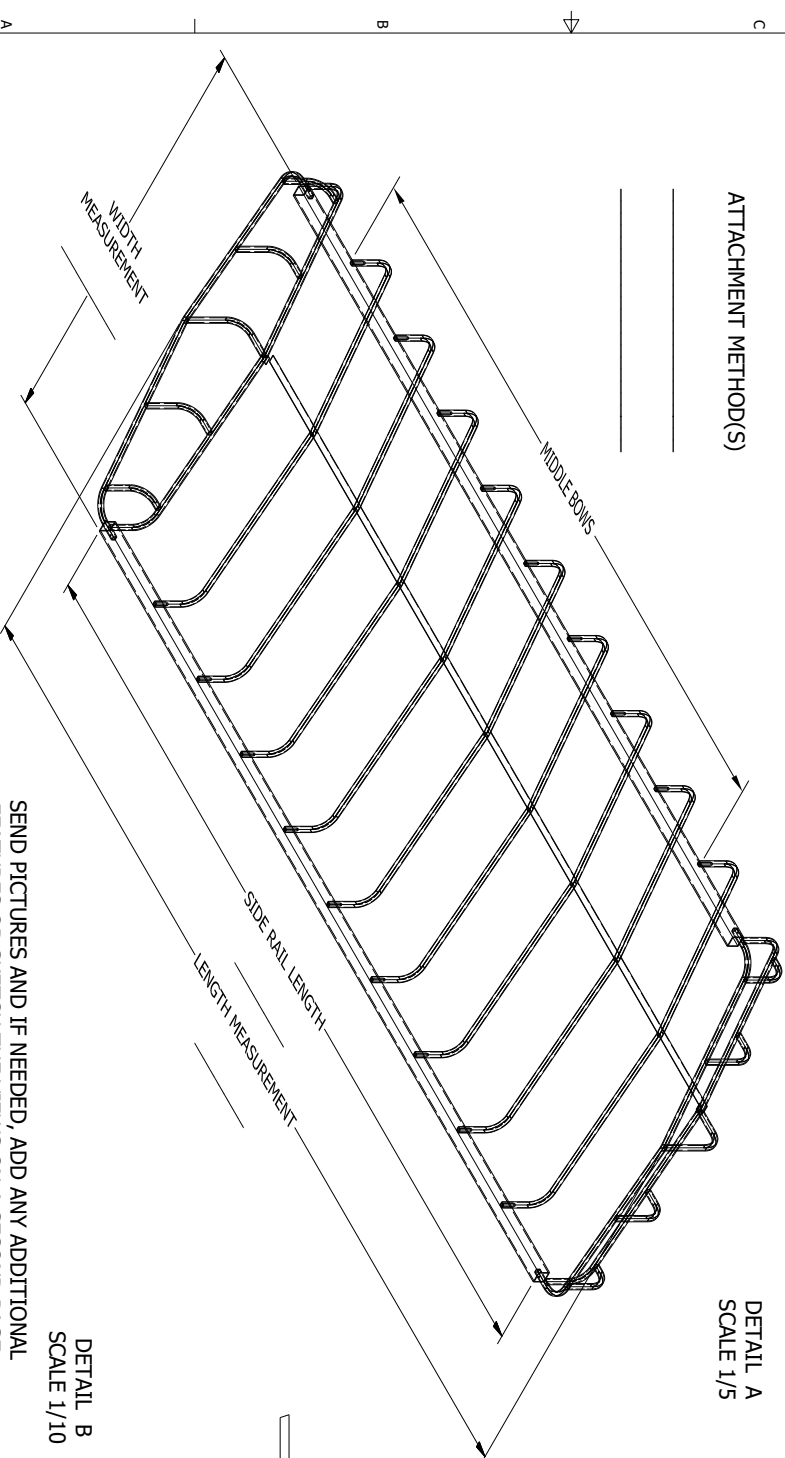
REVISIONS				ISSUER
REV	ECN	DATE	DESCRIPTION	
A	EC-00469	10/4/2016	RELEASE	RML



ATTACHMENT METHOD(S)

\_\_\_\_\_

\_\_\_\_\_



SEND PICTURES AND IF NEEDED, ADD ANY ADDITIONAL FEATURES OR SKETCH THE VIEWS ON A SECOND PAGE.

TOLERANCES - UNLESS NOTED

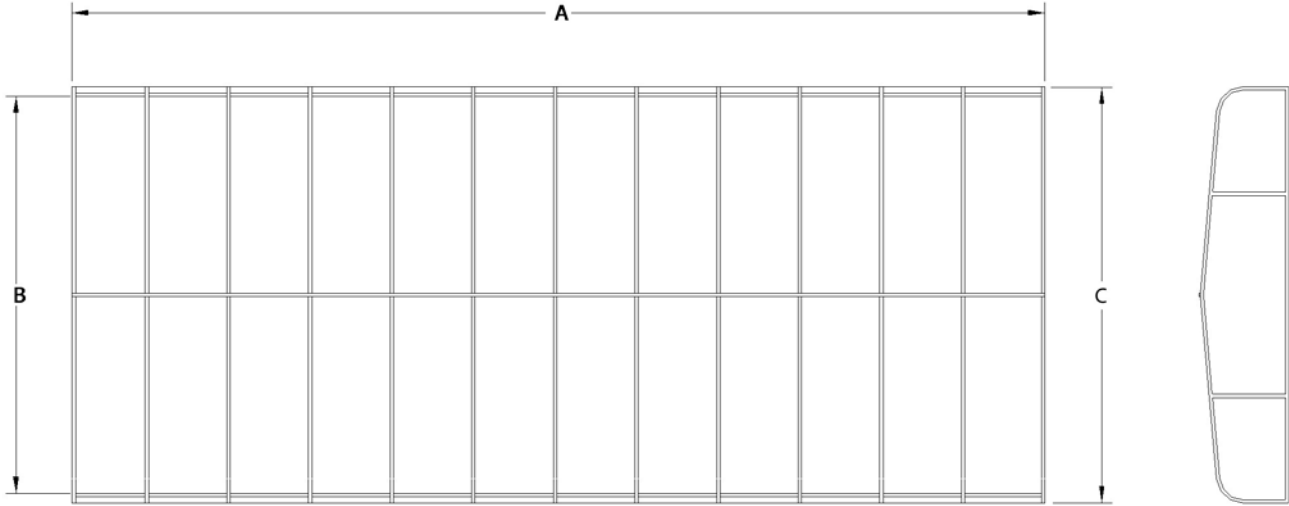
DECIMAL #	
FRACTION #	
ANGLE #	

TITLE: <b>FLARED FRONT FRAME DETAIL SHEET</b>				SIZE: <b>C</b>
DWT: RML	DATE: 4/2/2013	SCALE:	SHEET: 1	PART NO.: F-136
ENGR: GTS	DATE: 10/30/2016		1	

Attn: \_\_\_\_\_



**Hewitt Flat Front Frame  
Specification Sheet**



**\*ALL MEASUREMENTS (±1")**

PART NO. FLAT FRONT	SIZE	OVERALL LENGTH "A"	INSIDE WIDTH "B"	OUTSIDE WIDTH "C"
HWA1000071	10' X 71"	10'	65"	71"
HWA1200071	12' X 71"	12'	65"	71"
HWA1000100	10' X 100"	10'	94"	100"
HWA1200100	12' X 100"	12'	94"	100"
HWA1800100	18' X 100"	18'	94"	100"
HWA2000100	20' X 100"	20'	94"	100"
HWA1000110	10' X 110"	10'	104"	110"
HWA1200110	12' X 110"	12'	104"	110"
HWA1800110	18' X 110"	18'	104"	110"
HWA2000110	20' X 110"	20'	104"	110"
HWA1200120	12' X 120"	12'	114"	120"
HWA2000120	20' X 120"	20'	114"	120"

**ATTACHMENT**

Ball bungees wrap around each bow on the sides

Hooked bungees attach to a ring welded to each bow on the ends

STANDARD VALANCE: 12" VALANCE

**OUTSIDE DIMENSIONS**

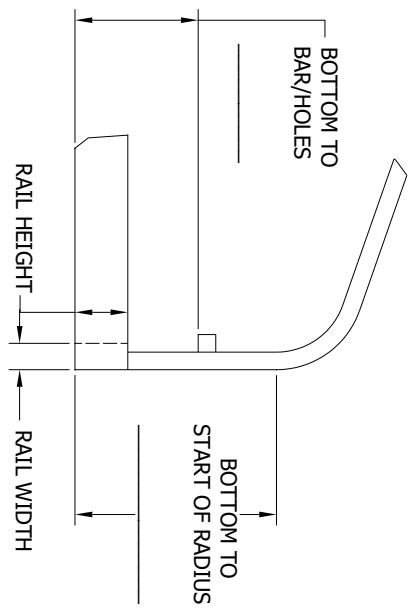
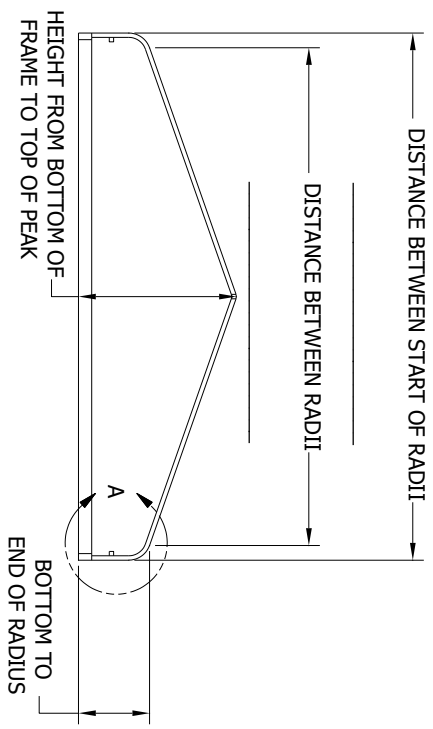
- A \_\_\_\_\_ OVERALL LENGTH OF FRAME
- B \_\_\_\_\_ INSIDE WIDTH OF FRAME
- C \_\_\_\_\_ OUTSIDE WIDTH OF FRAME

**\*\*If dimensions don't match above,  
fill out detail on next page**

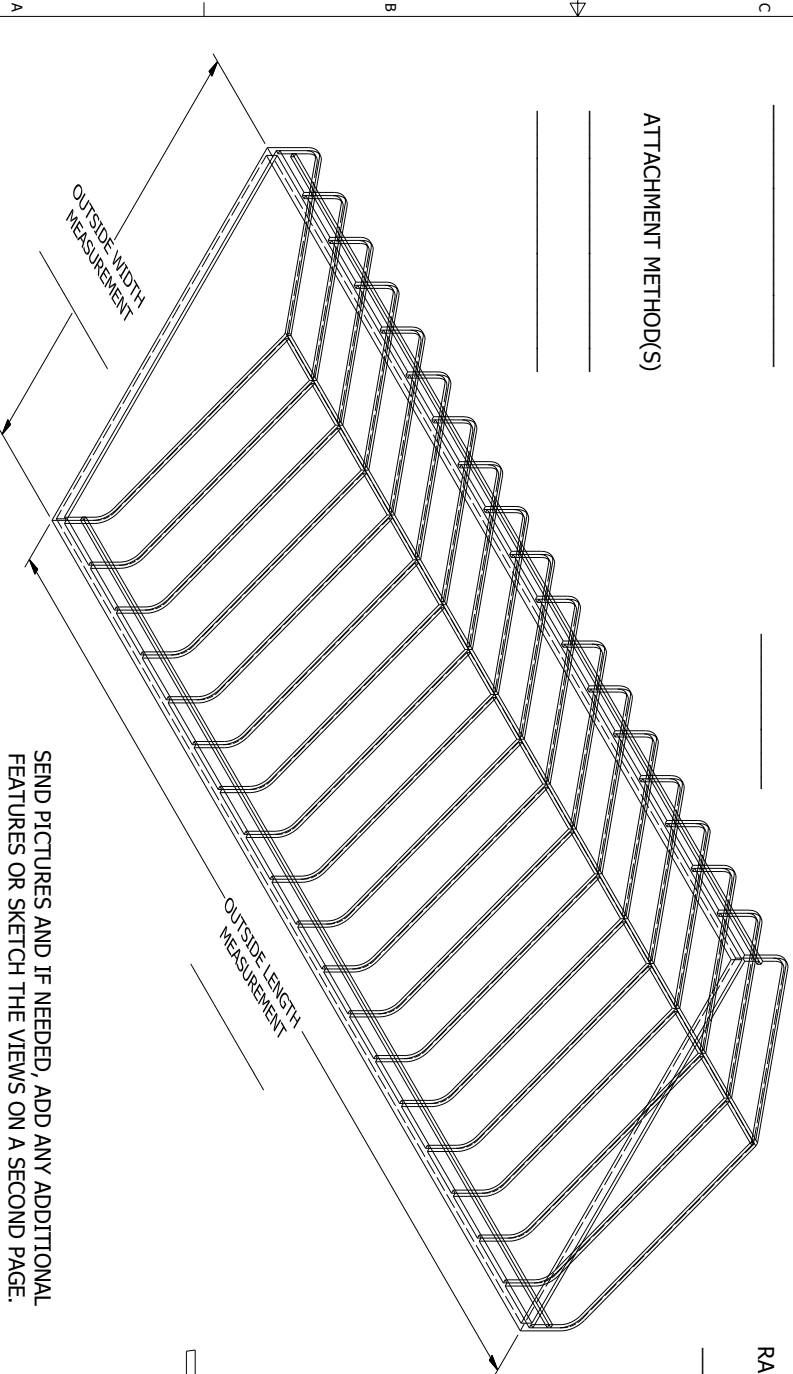
**NOTES**

\_\_\_\_\_  
\_\_\_\_\_  
\_\_\_\_\_

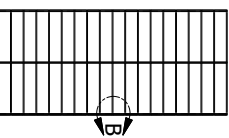
REV		ECN	DATE	DESCRIPTION	ISSUER
A	EC-00469		10/4/2016	RELEASE	RML



ATTACHMENT METHOD(S)

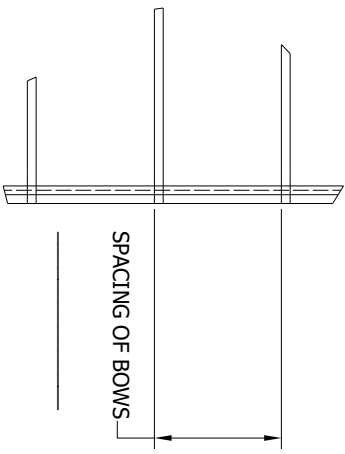


TOTAL NUMBER OF BOWS



SEND PICTURES AND, IF NEEDED, ADD ANY ADDITIONAL FEATURES OR SKETCH THE VIEWS ON A SECOND PAGE.

DETAIL B



TOLERANCES - UNLESS NOTED

DECIMAL #	FRACTION #	ANGLE #
-----------	------------	---------

TITLE: PEAKED FLUSHED END FRAME DETAIL SHEET

DATE	SCALE	SHEET	PART NO.
10/17/2016		1	F-133
ENGR:			
10/10/2016			

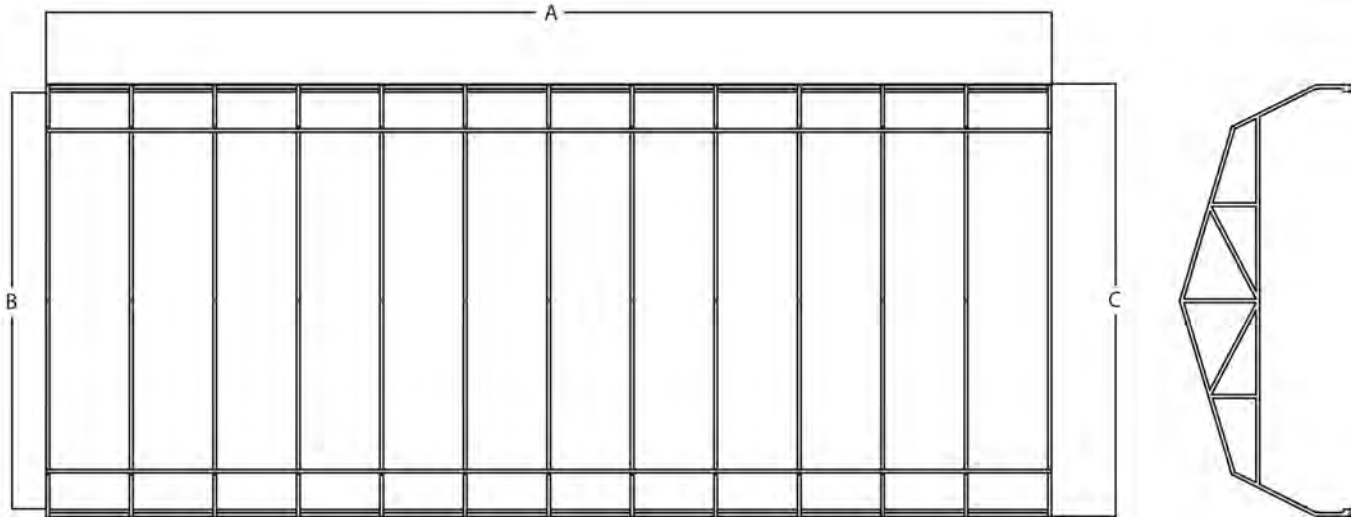
SIZE C



Attn: \_\_\_\_\_



**Hewitt Tower Frame  
Specification Sheet**



**\*ALL MEASUREMENTS (±1")**

PART NO. TOWER	SIZE	OVERALL LENGTH "A"	INSIDE WIDTH "B"	OUTSIDE WIDTH "C"
HWT2200120	22' X 120"	22'	114"	120"
HWT2400120	24' X 120"	24'	114"	120"
HWT2600120	26' X 120"	26'	114"	120"
HWT2800120	28' X 120"	28'	114"	120"
HWT3000120	30' X 120"	30'	114"	120"

**ATTACHMENT**

Ball bungees wrap around each bow on the sides

Hooked bungees attach to a ring welded to each bow on the ends

STANDARD VALANCE: 12" VALANCE

**OUTSIDE DIMENSIONS**

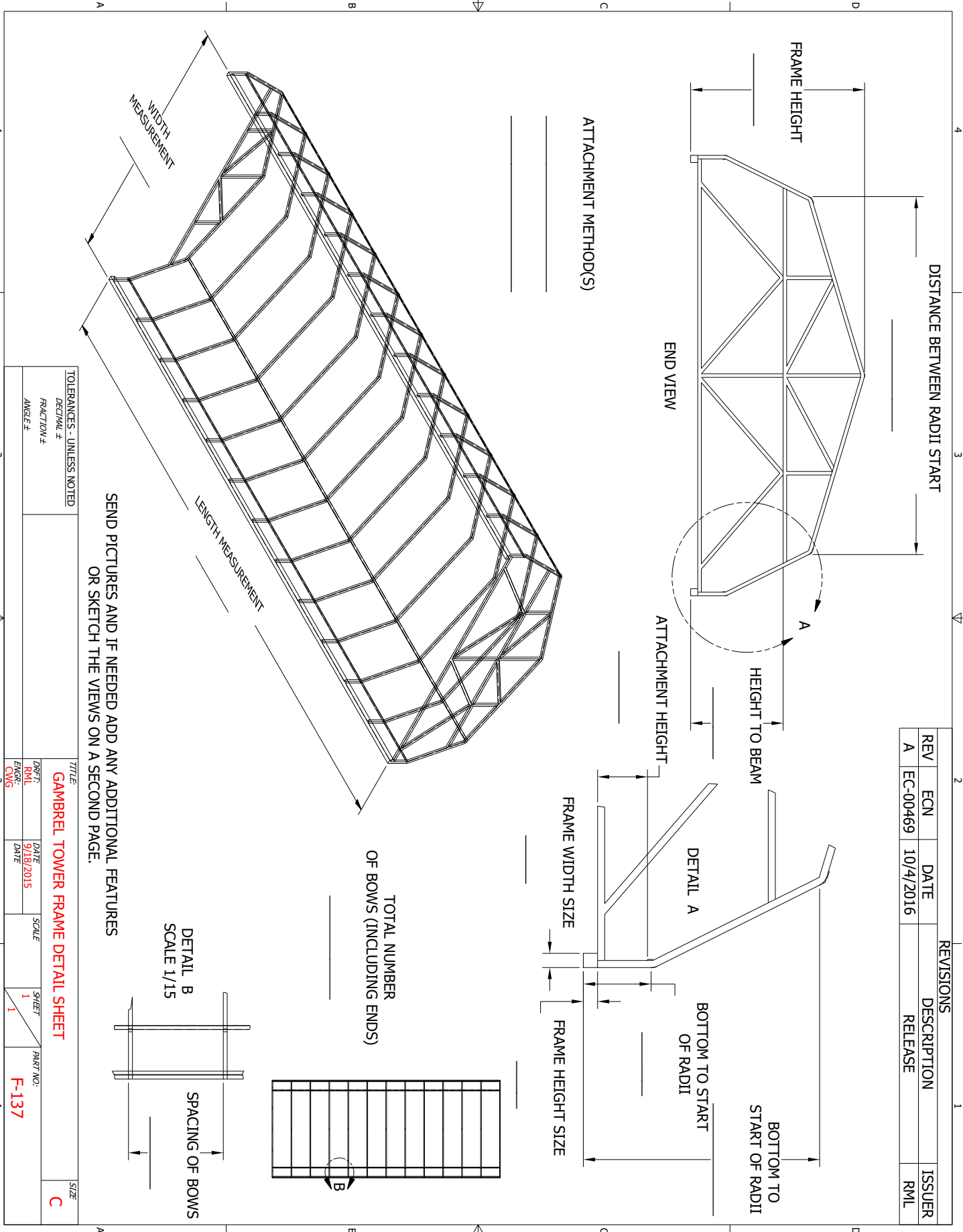
- A \_\_\_\_\_ OVERALL LENGTH OF FRAME
- B \_\_\_\_\_ INSIDE WIDTH OF FRAME
- C \_\_\_\_\_ OUTSIDE WIDTH OF FRAME

**\*\*If dimensions don't match above,  
fill out detail on next page**

**NOTES**

\_\_\_\_\_  
\_\_\_\_\_  
\_\_\_\_\_

REVISIONS				ISSUER
REV	ECN	DATE	DESCRIPTION	RML
A	EC-00469	10/4/2016	RELEASE	RML



SEND PICTURES AND IF NEEDED ADD ANY ADDITIONAL FEATURES OR SKETCH THE VIEWS ON A SECOND PAGE.

TOLERANCES - UNLESS NOTED

DECIMAL #  
FRACTION #  
ANGLE #

TITLE  
**GAMBREL TOWER FRAME DETAIL SHEET**

DESIGNER: RML  
ENGINEER: CWS

DATE: 9/18/2015

SCALE

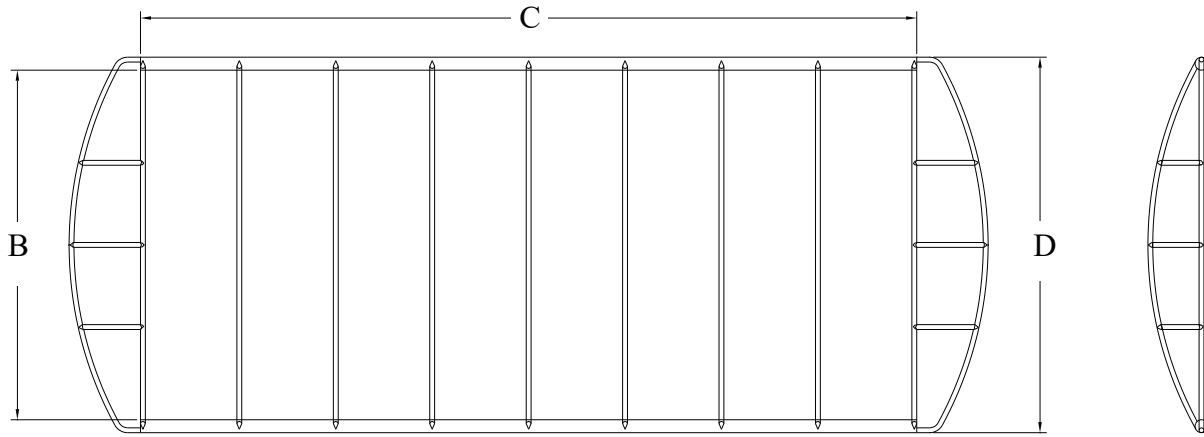
SHEET 1 OF 1

PART NO.: F-137

SIZE C

Attn: \_\_\_\_\_

**Lake Shore Products® Frame  
Specification Sheet**



**\*ALL MEASUREMENTS (±1")**

PART NO.	SIZE	INSIDE WIDTH "B"	SIDE RAIL LENGTH "C"	OUTSIDE WIDTH "D"
LS1800100	18' X 100"	99 1/4"	16'	107 1/4"
LS2000100	20' X 100"	99 1/4"	18'	107 1/4"
LS2200108	22' X 108"	107 1/4"	20'	115 1/4"
LS2400108	24' X 108"	107 1/4"	22'	115 1/4"
LS2600108	26' X 108"	107 1/4"	24'	115 1/4"
LS2200120	22' x 120"	119 1/4"	22'	127 1/4"
LS2400120	24' X 120"	119 1/4"	22'	127 1/4"
LS2600120	26' X 120"	119 1/4"	24'	127 1/4"
LS2800120	28' X 120"	119 1/4"	26'	127 1/4"
LS3000120	30' X 120"	119 1/4"	28'	127 1/4"

**ATTACHMENT**

Grommet strip, customer supplied spring, rope or zip tie for continuous bungee on each side and end, connected by s-hook to holes punched in each bow

STANDARD VALANCE: 20" VALANCE

**OUTSIDE DIMENSIONS**

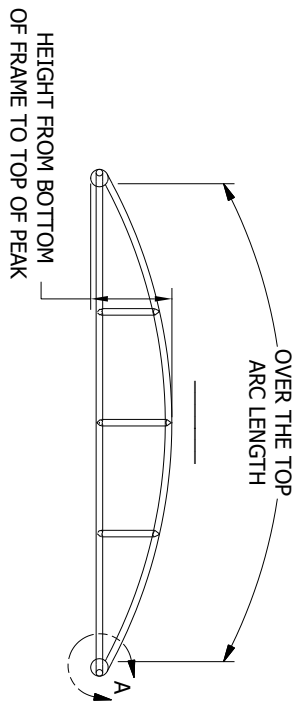
- A \_\_\_\_\_ OVERALL LENGTH OF FRAME
- B \_\_\_\_\_ INSIDE WIDTH OF FRAME
- C \_\_\_\_\_ LENGTH OF SIDE RAILS (W/O ENDS)
- D \_\_\_\_\_ OUTSIDE WIDTH OF FRAME

**\*\*If dimensions don't match above,  
fill out detail on next page**

**NOTES**

\_\_\_\_\_  
\_\_\_\_\_  
\_\_\_\_\_

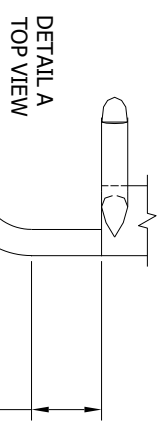
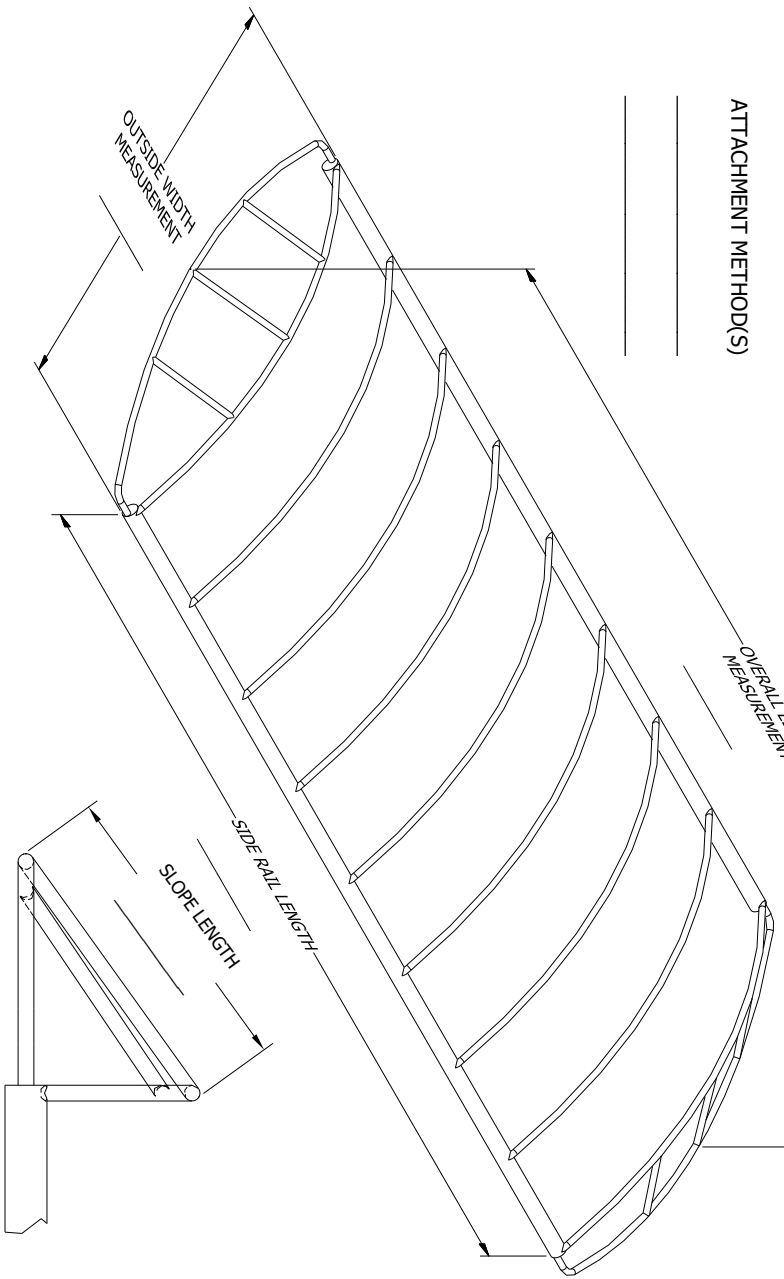
REVISIONS				ISSUER
REV	ECN	DATE	DESCRIPTION	RWL
A	EC-00469	10/4/2016	RELEASE	



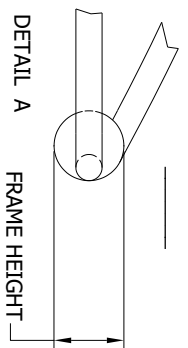
ATTACHMENT METHOD(S)

OVERALL LENGTH MEASUREMENT

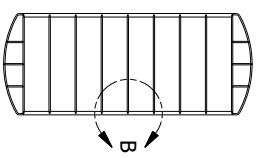
SEND PICTURES AND IF NEEDED, ADD ANY ADDITIONAL FEATURES OR SKETCH THE VIEWS ON A SECOND PAGE.



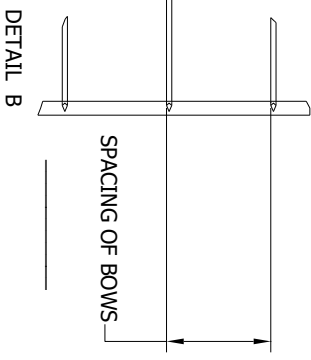
END OF SIDE RAIL TO START OF RADIUS



TOTAL NUMBER OF BOWS



SPACING OF BOWS



TOLERANCES - UNLESS NOTED

DECIMAL #  
FRACTION #  
ANGLE #

TITLE: **ROUNDED END FRAME DETAIL SHEET**

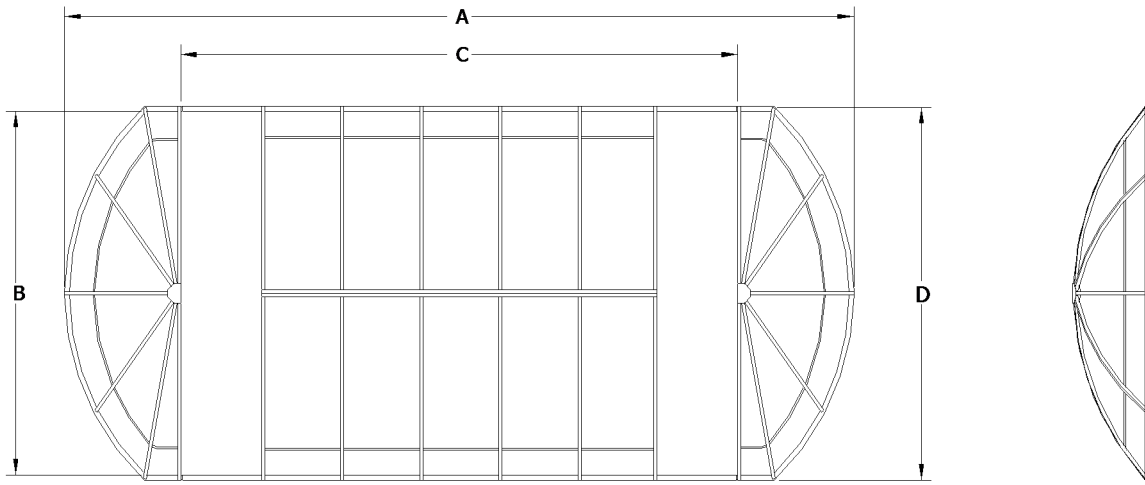
DRW	DATE	SCALE	SHEET	PART NO.
RWL	4/10/2014		1	F-135
ENG	DATE			
OWG	10/10/2016			

SIZE **C**



Attn: \_\_\_\_\_

**Newmans/Lund Frame  
Specification Sheet**



**\*ALL MEASUREMENTS (±1")**

PART NO.	SIZE	OVERALL LENGTH "A"	INSIDE WIDTH "B"	SIDE RAIL LENGTH "C"	OUTSIDE WIDTH "D"
NM1200054	12' X 54"	12' 1/2"	56 1/4"	6'	59 1/4"
NM1600084	16' X 84"	16' 1/2"	86 1/4"	10'	89 1/4"
NM2000084	20' X 84"	20' 1/2"	86 1/4"	14'	89 1/4"
NM2000096	20' X 96"	20' 1/2"	98 1/4"	14'	101 1/4"
NM2400096	24' X 96"	24' 1/2"	98 1/4"	18'	101 1/4"
NM2000108	20' X 108"	20' 1/2"	110 1/4"	14'	113 1/4"
NM2200108	22' X 108"	22' 1/2"	110 1/4"	16'	113 1/4"
NM2400108	24' X 108"	24' 1/2"	110 1/4"	18'	113 1/4"
NM2600108	26' X 108"	26' 1/2"	110 1/4"	20'	113 1/4"
NM2800108	28' X 108"	28' 1/2"	110 1/4"	22'	113 1/4"
NM2400120	24' X 120"	24' 1/2"	122 1/2"	18'	125 1/2"
NM2600120	26' X 120"	26' 1/2"	122 1/2"	20'	125 1/2"
NM2800120	28' X 120"	28' 1/2"	122 1/2"	22'	125 1/2"
NM3000120	30' X 120"	30' 1/2"	122 1/2"	24'	125 1/2"

**ATTACHMENT**

Hooked bungee connects to aluminum bar welded across bows.

STANDARD VALANCE: 12" VALANCE

**OUTSIDE DIMENSIONS**

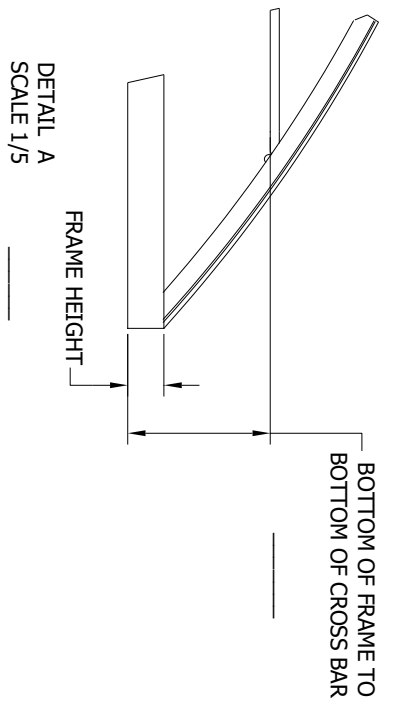
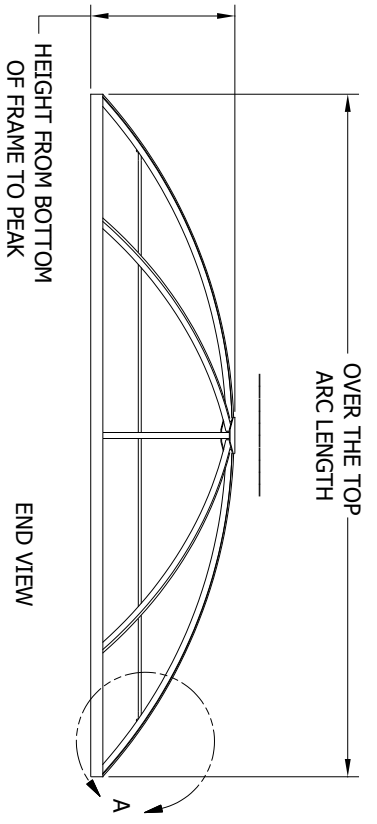
- A \_\_\_\_\_ OVERALL LENGTH OF FRAME
- B \_\_\_\_\_ INSIDE WIDTH OF FRAME
- C \_\_\_\_\_ LENGTH OF SIDE RAILS (W/O ENDS)
- D \_\_\_\_\_ OUTSIDE WIDTH OF FRAME

**\*\*If dimensions don't match above,  
fill out detail on next page**

**NOTES**

\_\_\_\_\_  
\_\_\_\_\_  
\_\_\_\_\_

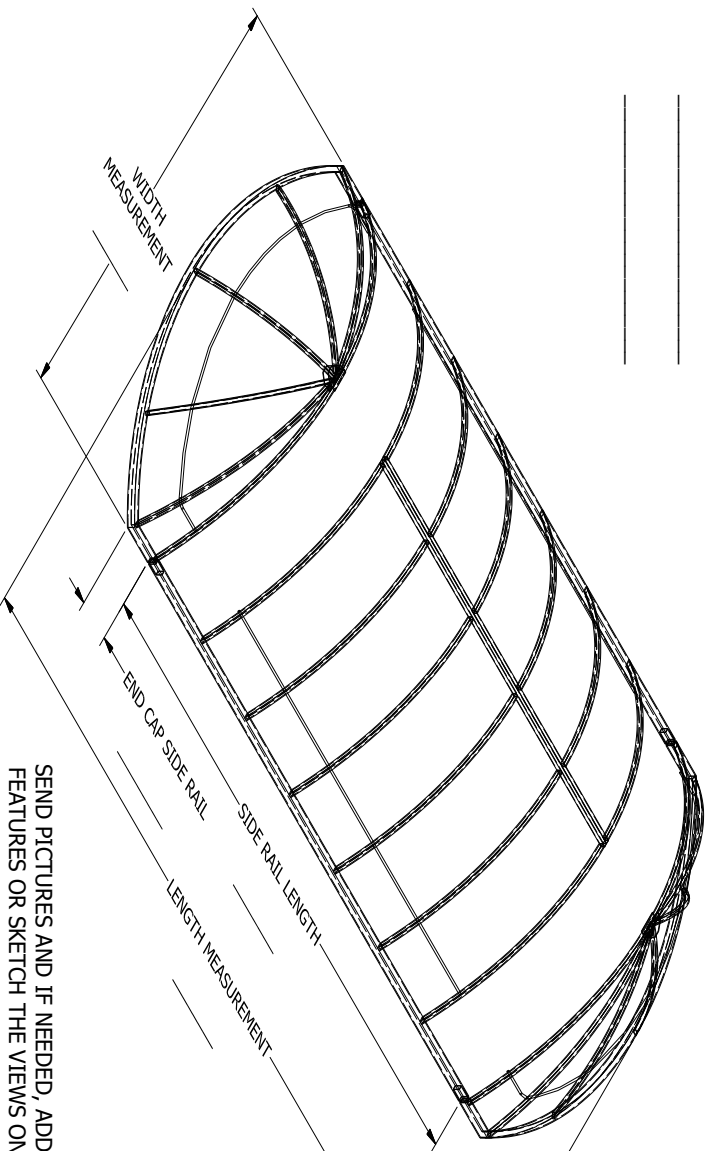
REVISIONS				ISSUER
REV	ECN	DATE	DESCRIPTION	RML
A	EC-00469	10/4/2016	RELEASE	RML
B	EC-00754	8/20/2018	ADDED DIM	RML



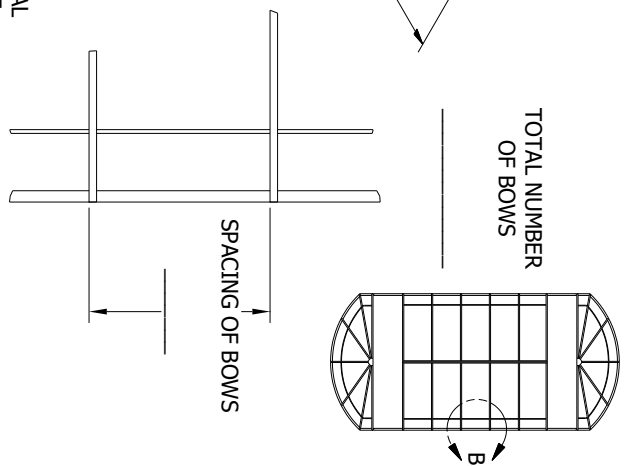
ATTACHMENT METHOD(S)

\_\_\_\_\_

\_\_\_\_\_



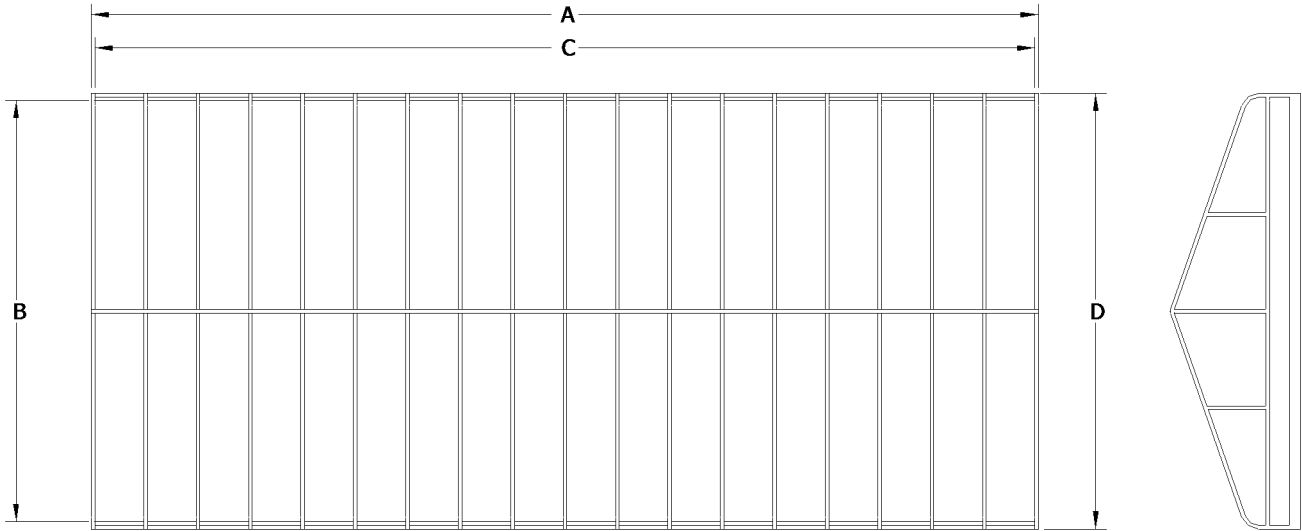
SEND PICTURES AND IF NEEDED, ADD ANY ADDITIONAL FEATURES OR SKETCH THE VIEWS ON A SECOND PAGE.



TOLERANCES - UNLESS NOTED		TITLE:		SIZE	
DECIMAL #	FRACTION #	<b>NEWMANS/LUND STYLE FRAME DETAIL SHEET</b>		<b>C</b>	
ANGLE #		DRFT:	DATE	SCALE	SHEET
		RML	8/6/2013		1 1
		ENGR:	DATE		PART NO.:
		CMG	10/10/2016		<b>F-138</b>

Attn: \_\_\_\_\_

**Pier Pleasure® Frame  
Specification Sheet**



**\*ALL MEASUREMENTS (±1")**

PART NO.	SIZE	OVERALL LENGTH "A"	INSIDE WIDTH "B"	SIDE RAIL LENGTH "C"	OUTSIDE WIDTH "D"
PP1400096	14' X 96"	14'	96"	13' 8"	100"
PP1600096	16' X 96"	16'	96"	15' 8"	100"
PP1800096	18' X 96"	18'	96"	17' 8"	100"
PP2000096	20' X 96"	20'	96"	19' 8"	100"
PP2200096	22' X 96"	22'	96"	21' 8"	100"
PP1800108	18' X 108"	18'	108"	17' 8"	112"
PP2000108	20' X 108"	20'	108"	19' 8"	112"
PP2200108	22' X 108"	22'	108"	21' 8"	112"
PP2400108	24' X 108"	24'	108"	23' 8"	112"
PP2600108	26' X 108"	26'	108"	25' 8"	112"
PP1200114	12' X 114"	12'	114"	11' 8"	118"
PP1400114	14' X 114"	14'	114"	13' 8"	118"
PP2200114	22' X 114"	22'	114"	21' 8"	118"
PP2400114	24' X 114"	24'	114"	23' 8"	118"
PP2600114	26' X 114"	26'	114"	25' 8"	118"
PP2800114	28' X 114"	28'	114"	27' 8"	118"
PP3000114	30' X 114"	30'	114"	29' 8"	118"
PP2400120	24' X 120"	24'	120"	23' 8"	124"
PP2600120	26' X 120"	26'	120"	25' 8"	124"
PP2800120	28' X 120"	28'	120"	27' 8"	124"
PP3000120	30' X 120"	30'	120"	29' 8"	124"
PP3200120	32' X 120"	32'	120"	31' 8"	124"
PP3400120	34' X 120"	34'	120"	33' 8"	124"

**ATTACHMENT**

Continuous bungee is strung through d-rings and hooked to aluminum flat bar via s-hooks.

STANDARD VALANCE: 12" VALANCE

**OUTSIDE DIMENSIONS**

- A \_\_\_\_\_ OVERALL LENGTH OF FRAME
- B \_\_\_\_\_ INSIDE WIDTH OF FRAME
- C \_\_\_\_\_ LENGTH OF SIDE RAILS (W/O ENDS)
- D \_\_\_\_\_ OUTSIDE WIDTH OF FRAME

**NOTES**

---



---



---



---



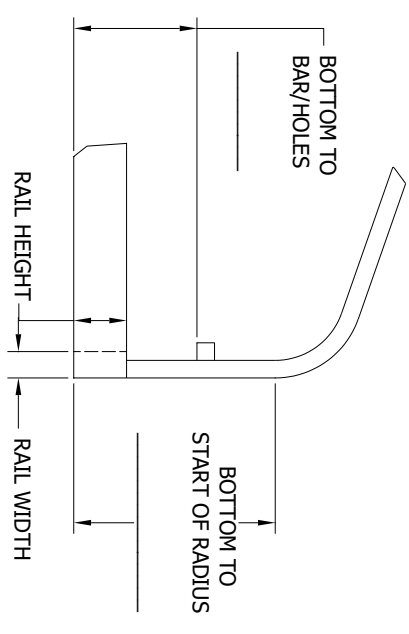
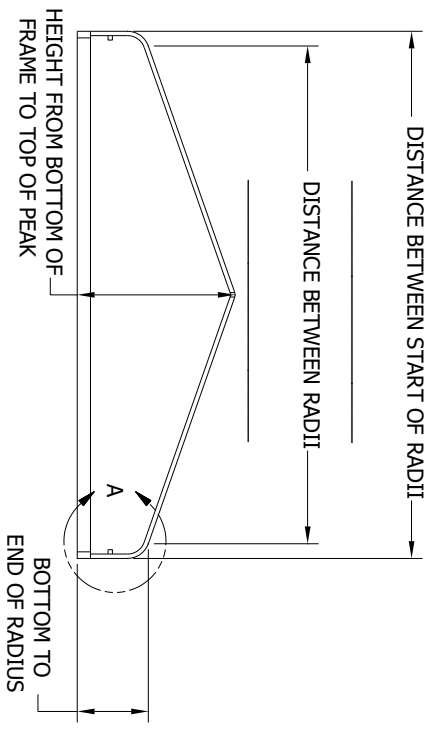
---



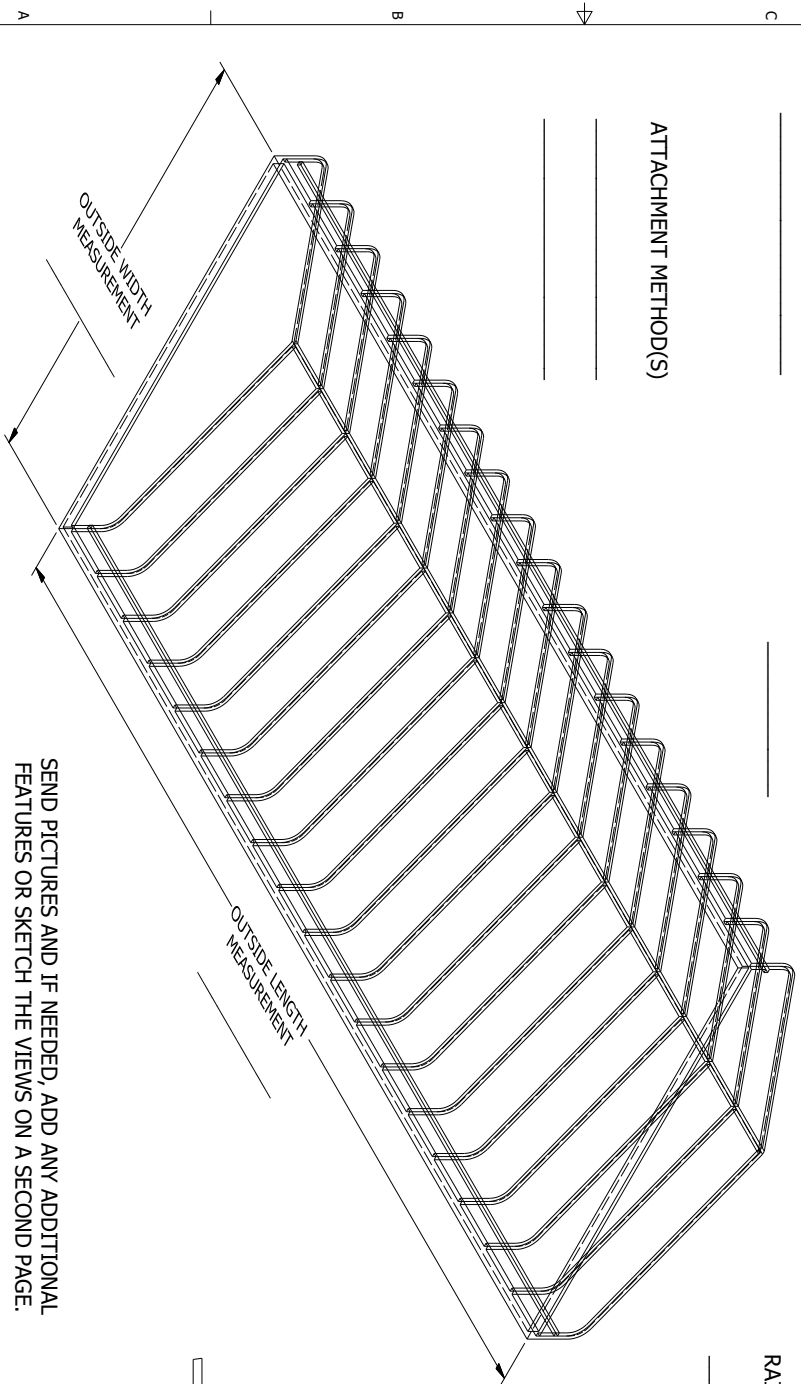
---

**\*\*If dimensions don't match above,  
fill out detail on next page**

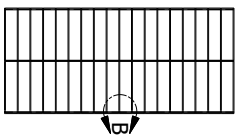
REVISIONS			ISSUER
REV	ECN	DATE	DESCRIPTION
A	EC-00469	10/4/2016	RELEASE
			RML



ATTACHMENT METHOD(S)

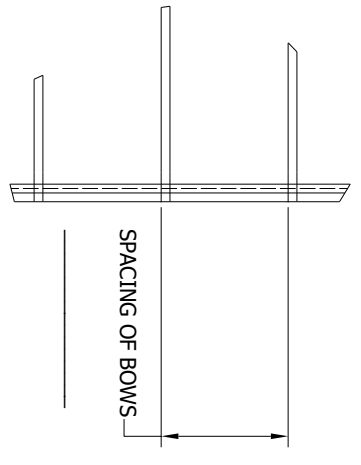


TOTAL NUMBER OF BOWS



SEND PICTURES AND IF NEEDED, ADD ANY ADDITIONAL FEATURES OR SKETCH THE VIEWS ON A SECOND PAGE.

DETAIL B



TOLERANCES - UNLESS NOTED

DECIMAL #	FRACTION #	ANGLE #
-----------	------------	---------

**PEAKED FLUSHED END FRAME DETAIL SHEET**

DATE	10/4/2016	SCALE	1	SHEET	1	PART NO.	F-133
DRN	CVG	END	1	1			

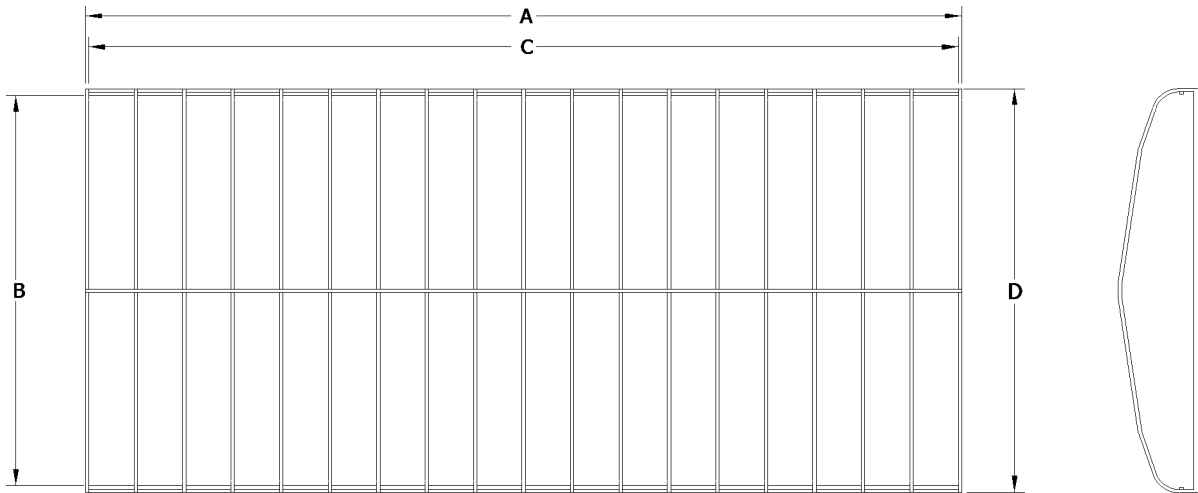
SIZE C



Attn: \_\_\_\_\_



**Porta-Dock® Frame  
Specification Sheet**



**\*ALL MEASUREMENTS (±1")**

PART NO.	SIZE	OVERALL LENGTH "A"	INSIDE WIDTH "B"	SIDE RAIL LENGTH "C"	OUTSIDE WIDTH "D"
PD2000084	20' X 84"	20'	84"	19' 8"	88 1/2"
PD2000096	20' X 96"	20'	96"	19' 8"	100 1/2"
PD2200096	22' X 96"	22'	96"	21' 8"	100 1/2"
PD2200114	22' X 114"	22'	114"	21' 8"	118 1/2"
PD2400114	24' X 114"	24'	114"	23' 8"	118 1/2"
PD2600114	26' X 114"	26'	114"	25' 8"	118 1/2"
PD2800114	28' X 114"	28'	114"	27' 8"	118 1/2"
PD3000114	30' X 114"	30'	114"	29' 8"	118 1/2"
PD2200120	22' X 120"	22'	120"	21' 8"	125 1/2"
PD2400120	24' X 120"	24'	120"	23' 8"	125 1/2"
PD2600120	26' X 120"	26'	120"	25' 8"	125 1/2"
PD2800120	28' X 120"	28'	120"	27' 8"	125 1/2"
PD3000120	30' X 120"	30'	120"	29' 8"	125 1/2"

**ATTACHMENT**

Continuous Bungee with S-hooks

STANDARD VALANCE: 12" VALANCE

**OUTSIDE DIMENSIONS**

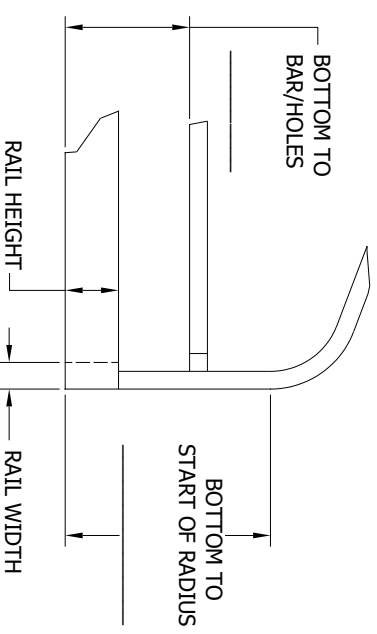
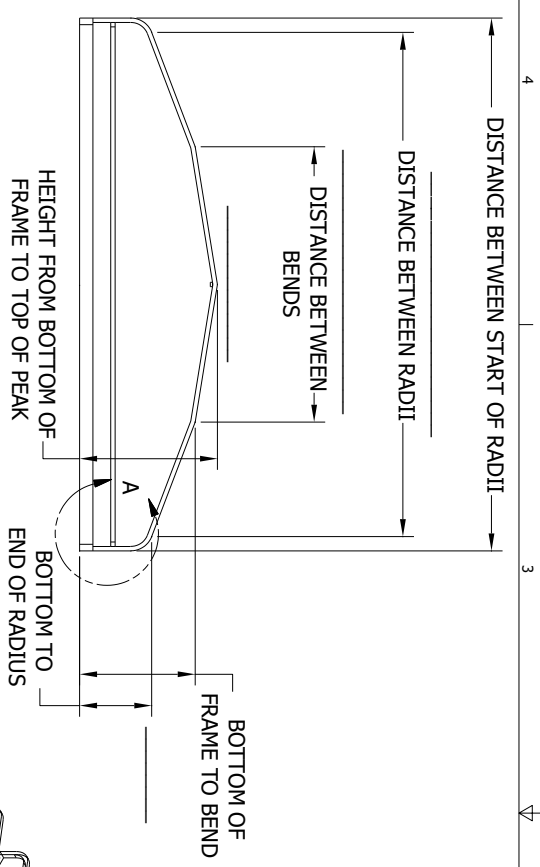
- A \_\_\_\_\_ OVERALL LENGTH OF FRAME
- B \_\_\_\_\_ INSIDE WIDTH OF FRAME
- C \_\_\_\_\_ LENGTH OF SIDE RAILS  
(W/O ENDS)
- D \_\_\_\_\_ OUTSIDE WIDTH OF FRAME

**\*\*If dimensions don't match above,  
fill out detail on next page**

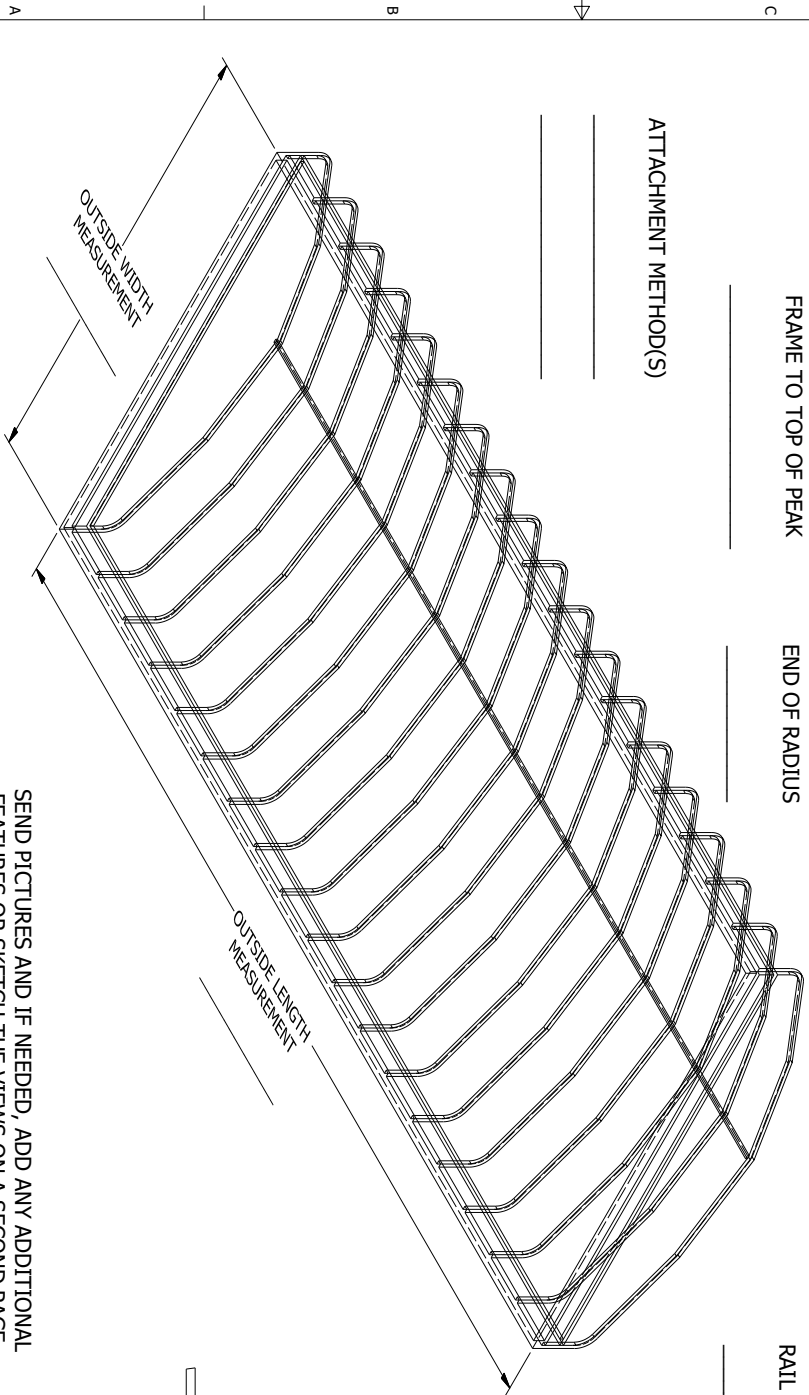
**NOTES**

\_\_\_\_\_  
\_\_\_\_\_  
\_\_\_\_\_

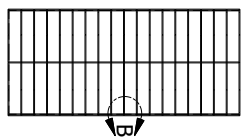
REVISIONS				ISSUER
REV	ECN	DATE	DESCRIPTION	RML
A	EC-00469	10/3/2016	RELEASE	RML



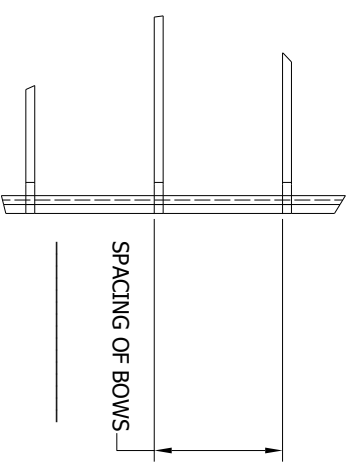
ATTACHMENT METHOD(S)



TOTAL NUMBER OF BOWS



DETAIL B



SEND PICTURES AND IF NEEDED, ADD ANY ADDITIONAL FEATURES OR SKETCH THE VIEWS ON A SECOND PAGE.

TOLERANCES - UNLESS NOTED

DECIMAL #  
FRACTION #  
ANGLE #

TITLE: **GAMBREL FRAME DETAIL SHEET**

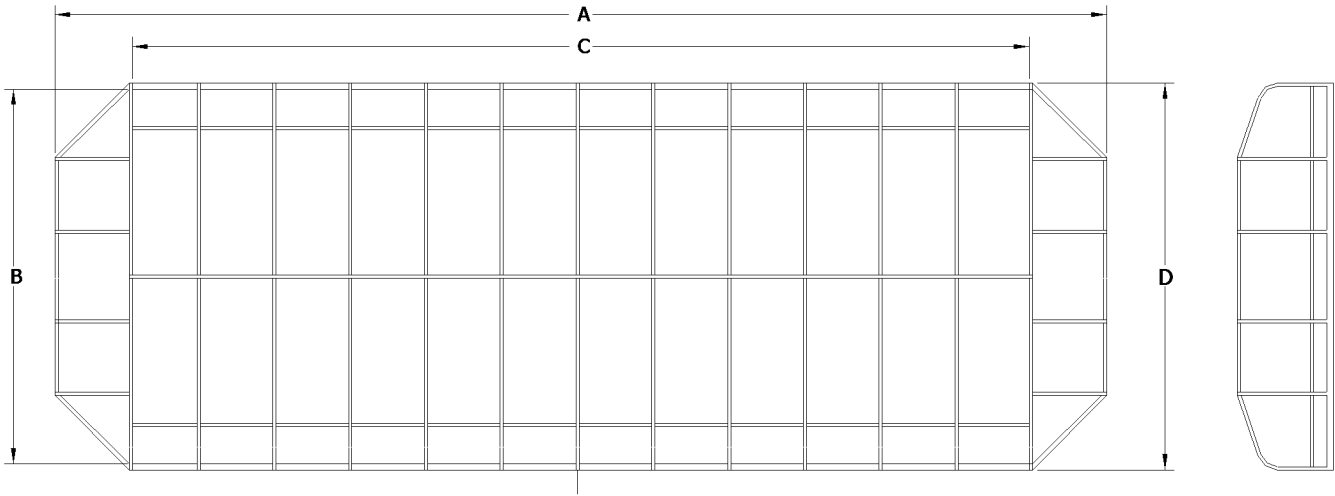
DRFT: RML	DATE: 10/4/2016	SCALE:	SHEET: 1	PART NO: F-142
ENGR: CWG	DATE: 10/10/2016		1	

SIZE: **C**

Attn: \_\_\_\_\_



**Ridgeline® Frame  
Specification Sheet**



**\*ALL MEASUREMENTS (±1")**

PART NO.	SIZE	OVERALL LENGTH "A"	INSIDE WIDTH "B"	SIDE RAIL LENGTH "C"	OUTSIDE WIDTH "D"
RL2000096	20' X 96"	20'	96"	16'	100"
RL2000108	20' X 108"	20'	108"	16'	112"
RL2400108	24' X 108"	24'	108"	20'	112"
RL2200120	22' X 120"	22'	120"	18'	124"
RL2400120	24' X 120"	24'	120"	20'	124"
RL2600120	26' X 120"	26'	120"	22'	124"
RL2800120	28' X 120"	28'	120"	24'	124"
RL3000120	30' X 120"	30'	120"	26'	124"
RL3200120	32' X 120"	32'	120"	28'	124"

**ATTACHMENT**

Hooked bungee attaches to d-rings and hook over aluminum bar running across the bows on frame.

STANDARD VALANCE: 12" VALANCE

**OUTSIDE DIMENSIONS**

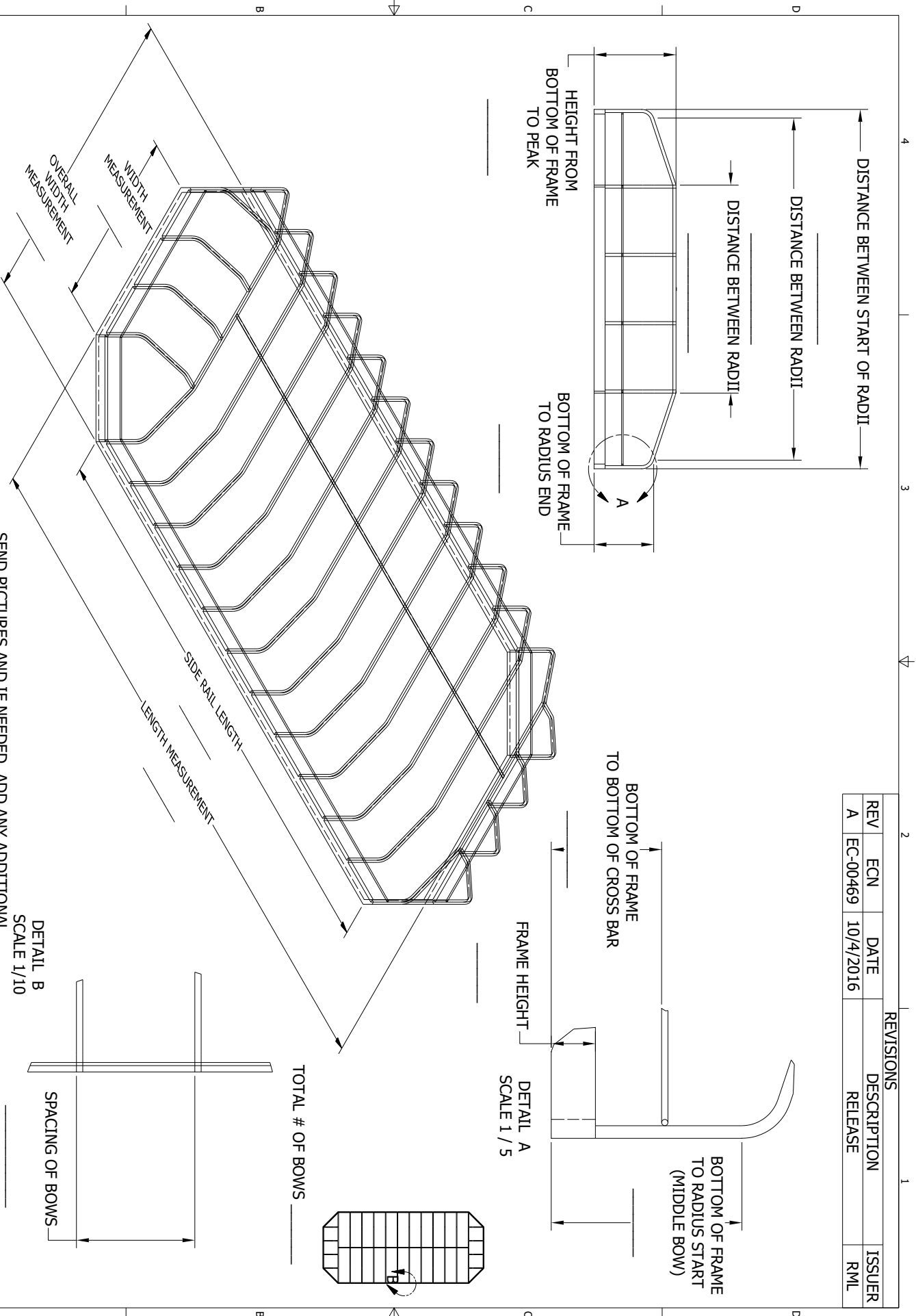
- A \_\_\_\_\_ OVERALL LENGTH OF FRAME
- B \_\_\_\_\_ INSIDE WIDTH OF FRAME
- C \_\_\_\_\_ LENGTH OF SIDE RAILS (W/O ENDS)
- D \_\_\_\_\_ OUTSIDE WIDTH OF FRAME

**\*\*If dimensions don't match above, fill out detail on next page**

**NOTES**

\_\_\_\_\_  
 \_\_\_\_\_  
 \_\_\_\_\_

REVISIONS				ISSUER
REV	ECN	DATE	DESCRIPTION	RML
A	EC-00469	10/4/2016	RELEASE	RML



SEND PICTURES AND IF NEEDED, ADD ANY ADDITIONAL FEATURES OR SKETCH THE VIEWS ON A SECOND PAGE.

DETAIL B  
SCALE 1/10

DETAIL A  
SCALE 1 / 5

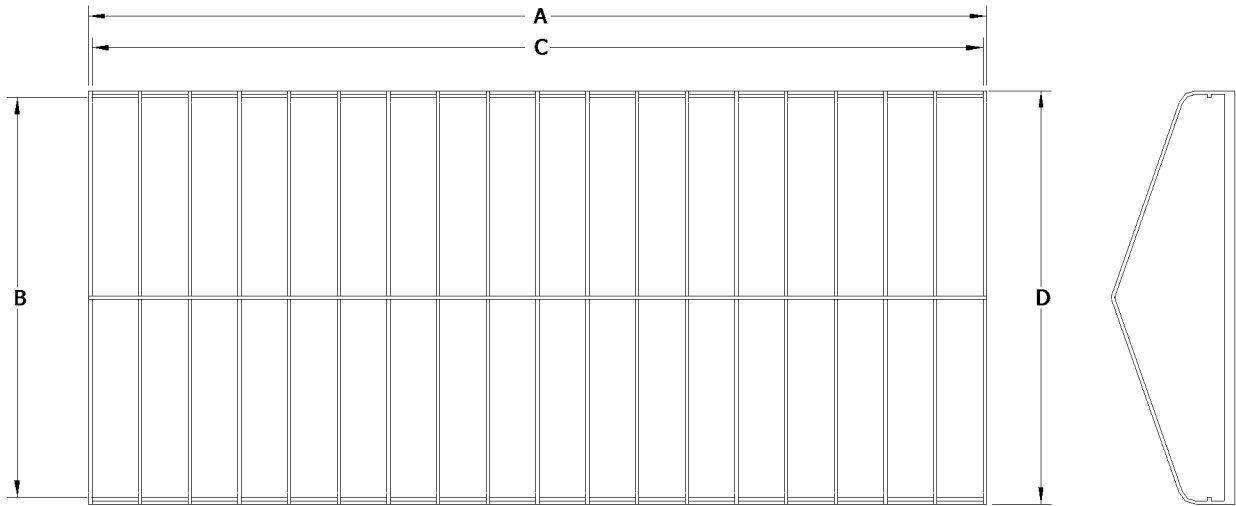
TOTAL # OF BOWS \_\_\_\_\_

SPACING OF BOWS \_\_\_\_\_

TOLERANCES - UNLESS NOTED				SIZE
DECIMAL #	FRACTION #	ANGLE #		C
TITLE: RIDGELINE STYLE DETAIL SHEET				
DWGT: RML	DATE: 1/31/2014	SHEET: 1	PART NO: F-140	
ENGR: RML	DATE: 10/10/2016	SCALE: 1		
CHK: RML				

Attn: \_\_\_\_\_

**Sea Legs® Frame  
Specification Sheet**



**\*ALL MEASUREMENTS (±1")**

**ATTACHMENT**

The male buckle wraps around the bottom of the canopy frame while the female buckle wraps around the top of the canopy frame.

STANDARD VALANCE: 6" DROP

PART NO.	SIZE	OVERALL LENGTH "A"	INSIDE WIDTH "B"	SIDE RAIL LENGTH "C"	OUTSIDE WIDTH "D"
BK2600120	26' X 120"	26'	120"	25' 10"	128"
BK2900120	29' X 120"	29'	120"	28' 10"	128"
BK2900144	29' X 144"	29'	140"	28' 10"	144"

**\*\*If dimensions don't match above,  
fill out detail on next page**

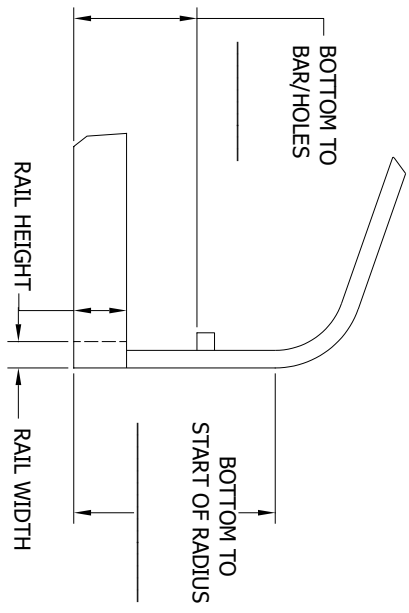
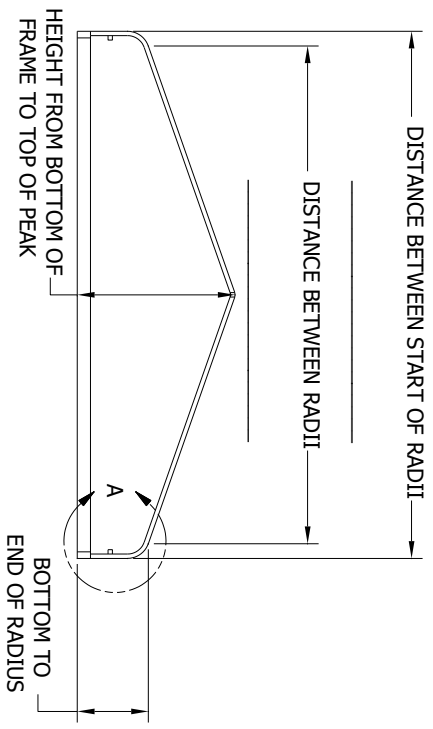
**OUTSIDE DIMENSIONS**

- A \_\_\_\_\_ OVERALL LENGTH OF FRAME
- B \_\_\_\_\_ INSIDE WIDTH OF FRAME
- C \_\_\_\_\_ LENGTH OF SIDE RAILS  
(W/O ENDS)
- D \_\_\_\_\_ OUTSIDE WIDTH OF FRAME

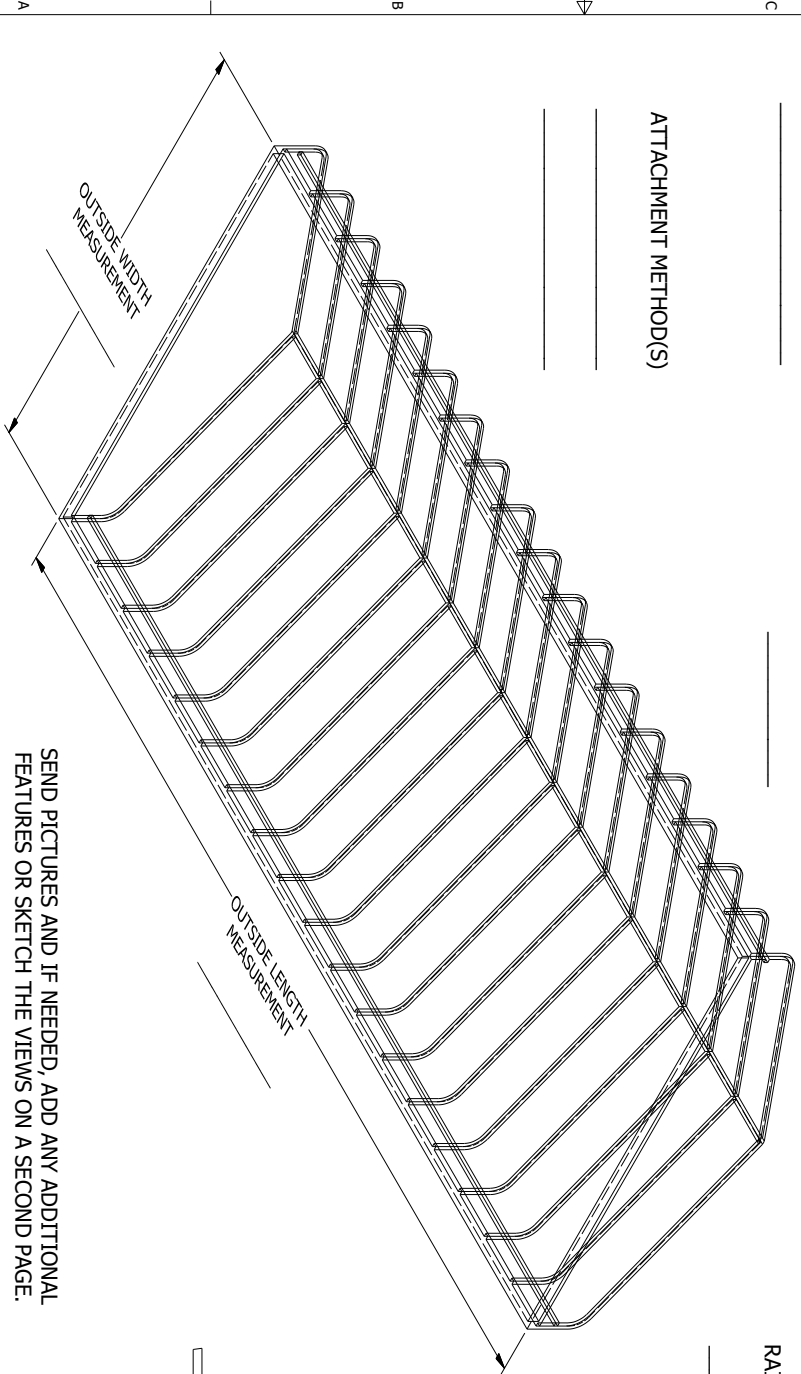
**NOTES**

\_\_\_\_\_  
\_\_\_\_\_  
\_\_\_\_\_

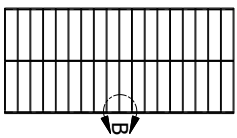
REVISIONS			ISSUER
REV	ECN	DATE	DESCRIPTION
A	EC-00469	10/4/2016	RELEASE
			RML



ATTACHMENT METHOD(S)

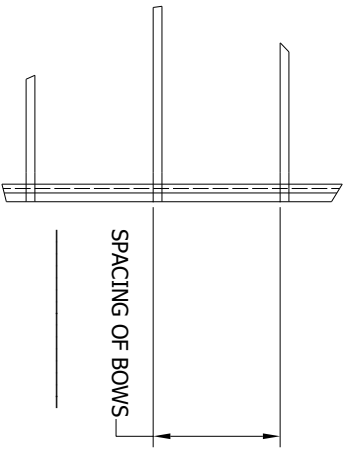


TOTAL NUMBER OF BOWS



SEND PICTURES AND IF NEEDED, ADD ANY ADDITIONAL FEATURES OR SKETCH THE VIEWS ON A SECOND PAGE.

DETAIL B



TOLERANCES - UNLESS NOTED

DECIMAL #  
FRACTION #  
ANGLE #

**PEAKED FLUSHED END FRAME DETAIL SHEET**

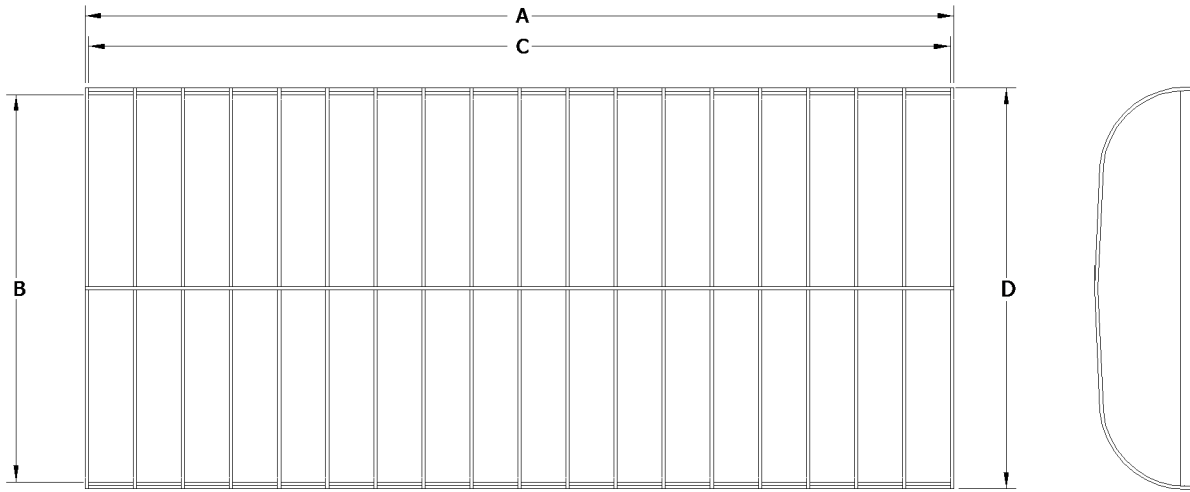
DATE	DATE	SCALE	SHEET	PART NO.
10/4/2016	10/10/2016		1	F-133
DRN: CUG	END: CUG			

SIZE C

Attn: \_\_\_\_\_



**Shoreline® Frame  
Specification Sheet**



**\*ALL MEASUREMENTS (±1")**

PART NO.	SIZE	OVERALL LENGTH "A"	INSIDE WIDTH "B"	SIDE RAIL LENGTH "C"	OUTSIDE WIDTH "D"
SL2200096	22' X 96"	22' 7/8"	96"	21' 10"	99 1/2"
SL2200108	22' X 108"	22' 7/8"	108 1/2"	21'10"	112"
SL2400120	24' X 120"	24' 7/8"	120 1/2"	23'10"	124"

**ATTACHMENT**

Continuous bungee runs along all four sides and loops over a small hook attached to each bow.

STANDARD VALANCE: 12" VALANCE

**\*\*If dimensions don't match above,  
fill out detail on next page**

**OUTSIDE DIMENSIONS**

- A \_\_\_\_\_ OVERALL LENGTH OF FRAME
- B \_\_\_\_\_ INSIDE WIDTH OF FRAME
- C \_\_\_\_\_ LENGTH OF SIDE RAILS  
(W/O ENDS)
- D \_\_\_\_\_ OUTSIDE WIDTH OF FRAME

**NOTES**

---

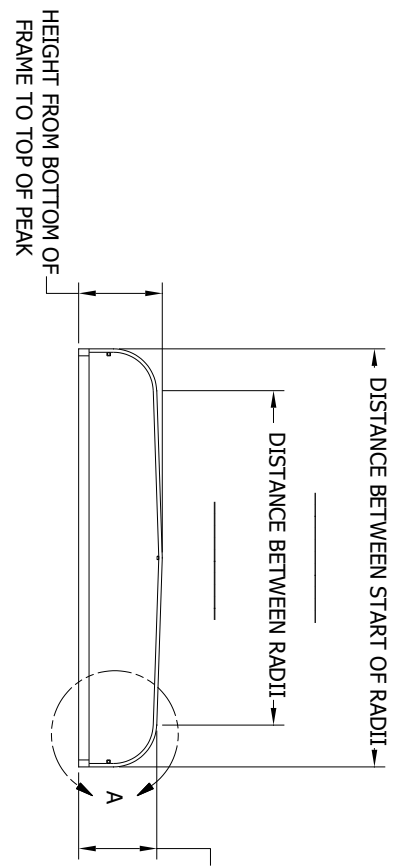


---

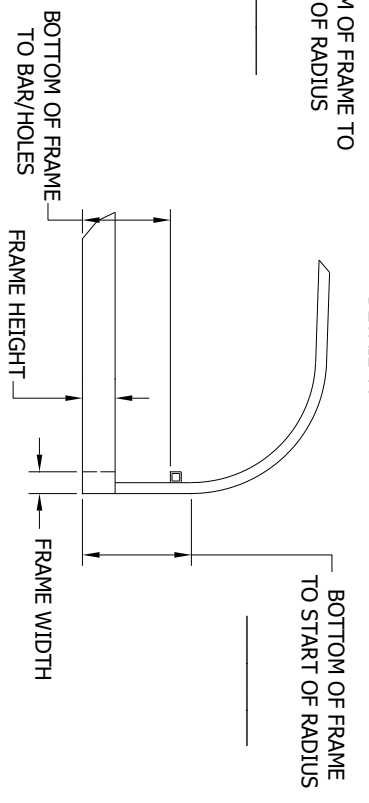


---

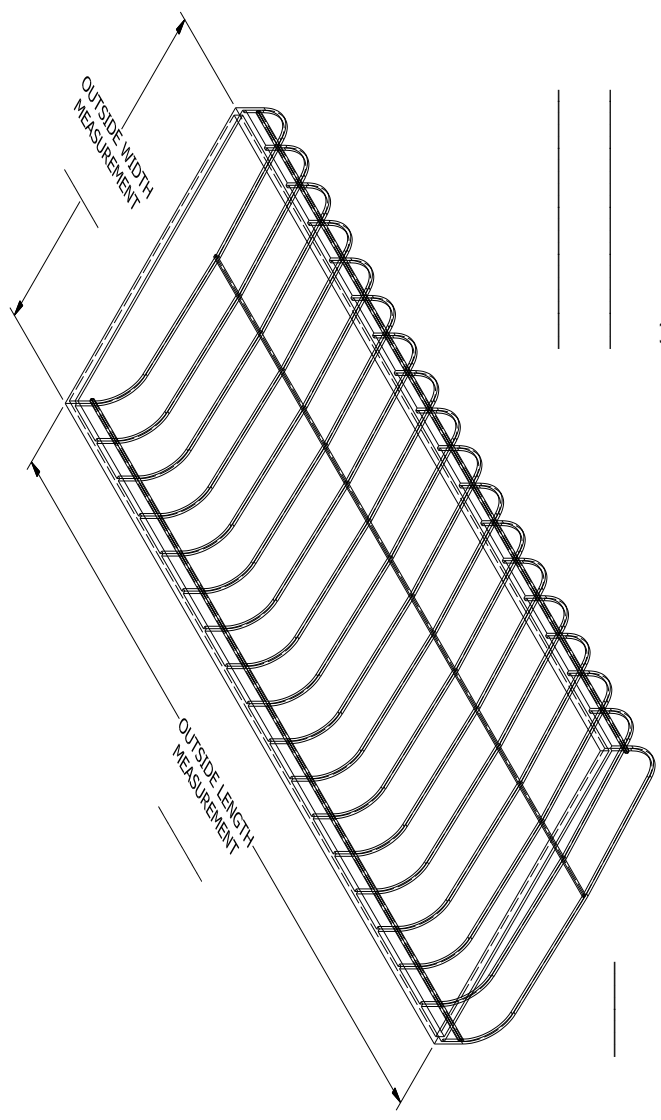
REVISIONS				ISSUER
REV	ECN	DATE	DESCRIPTION	RML
A	EC-00469	10/4/2016	RELEASE	



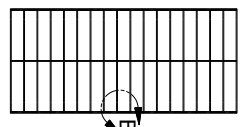
ATTACHMENT METHOD(S)



DETAIL A



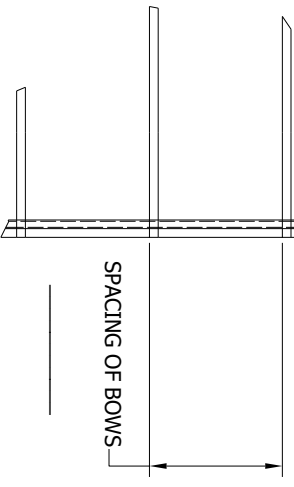
TOTAL NUMBER OF BOWS



SPACING OF BOWS

SEND PICTURES AND IF NEEDED, ADD ANY ADDITIONAL FEATURES OR SKETCH THE VIEWS ON A SECOND PAGE.

DETAIL B



TOLERANCES - UNLESS NOTED

DECIMAL #  
FRACTION #  
ANGLE #

TITLE: **FLAT FRONT FRAME DETAIL SHEET**

SCALE

SHEET

PART NO.

SIZE

DRAWN: TJS

DATE: 4/10/2014

SCALE: 1

SHEET: 1

PART NO.: F-130

SIZE: C

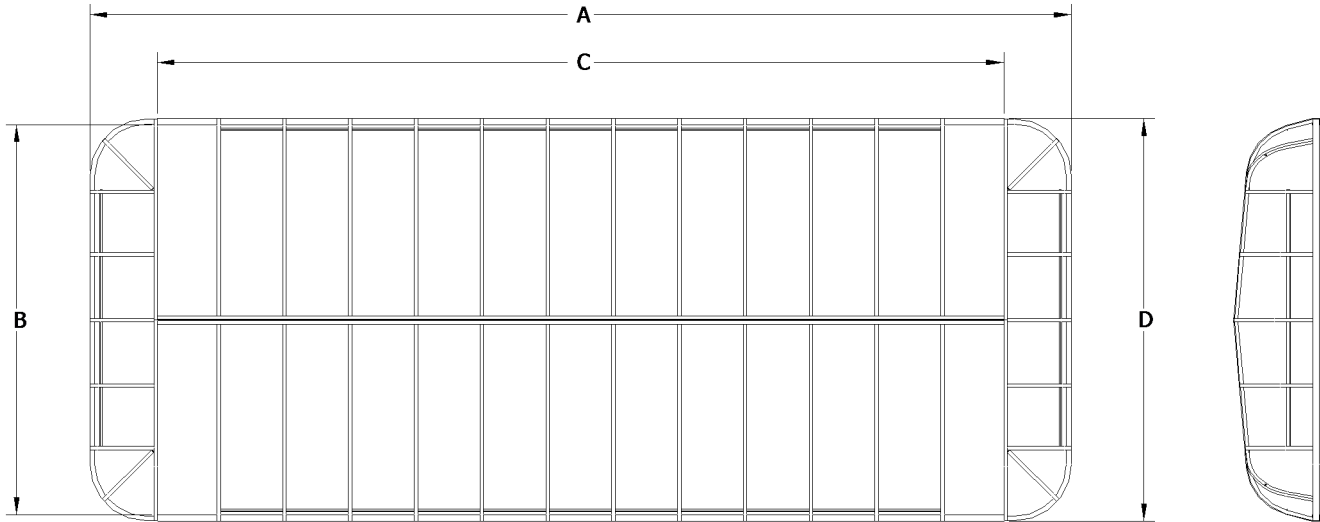
ENG: CMG

DATE: 10/10/2016



Attn: \_\_\_\_\_

**Shoremaster® Frame  
Specification Sheet**



**\*ALL MEASUREMENTS (±1")**

PART NO.	SIZE	OVERALL LENGTH "A"	INSIDE WIDTH "B"	SIDE RAIL LENGTH "C"	OUTSIDE WIDTH "D"
SM1000055	10' X 55"	10' 4"	55 1/2"	7' 8 7/8"	58 3/8"
SM1000110	10' X 110"	9' 6"	120 1/2"	6' 3-1/2"	124"
SM1300064	13' X 64"	13' 1-1/2"	65"	9' 10"	68 1/2"
SM1900084	19' X 84"	19'	84"	15' 10"	87 1/2"
SM1900096	19' X 96"	19'	96"	15' 10"	99 1/2"
SM2100096	21' X 96"	21'	96"	17' 10"	99 1/2"
SM2300100	23' X 100"	23'	100"	19' 10"	103 1/2"
SM1900108	19' X 108"	19' 1-1/2"	108 1/2"	15' 10"	112"
SM2100108	21' X 108"	21' 1-1/2"	108 1/2"	17' 10"	112"
SM2300108	23' X 108"	23' 1-1/2"	108 1/2"	19' 10"	112"
SM2500108	25' X 108"	25' 1-1/2"	108 1/2"	21' 10"	112"
SM2700108	27' X 108"	27' 2-1/2"	108 1/2"	23' 10"	112"
SM2900108	29' X 108"	29' 1-1/2"	108 1/2"	25' 10"	112"
SM2100120	21' X 120"	21' 1-1/2"	120 1/2"	17' 10"	124"
SM2300120	23' X 120"	23' 1-1/2"	120 1/2"	19' 10"	124"
SM2500120	25' X 120"	25' 1-1/2"	120 1/2"	21' 10"	124"
SM2700120	27' X 120"	27' 1-1/2"	120 1/2"	23' 10"	124"
SM2900120	29' X 120"	29' 1-1/2"	120 1/2"	25' 10"	124"
SM3100120	31' X 120"	31' 1-1/2"	120 1/2"	27' 10"	124"
SM3300120	33' X 120"	33' 1-1/2"	120 1/2"	29' 10"	124"
SM2700132	27' X 132"	27'	132"	23' 10"	135 1/2"
SM2900132	29' X 132"	29'	132"	25' 10"	135 1/2"
SM3100132	31' X 132"	31'	132"	27' 10"	135 1/2"
SM3300132	33' X 132"	33'	132"	29' 10"	135 1/2"
SM3500132	35' X 132"	35'	132"	31' 10"	135 1/2"

**ATTACHMENT**

Hooked bungee connects to aluminum bar welded across bows.

STANDARD VALANCE: 12" VALANCE

**OUTSIDE DIMENSIONS**

- A \_\_\_\_\_ OVERALL LENGTH OF FRAME
- B \_\_\_\_\_ INSIDE WIDTH OF FRAME
- C \_\_\_\_\_ LENGTH OF SIDE RAILS (W/O ENDS)
- D \_\_\_\_\_ OUTSIDE WIDTH OF FRAME

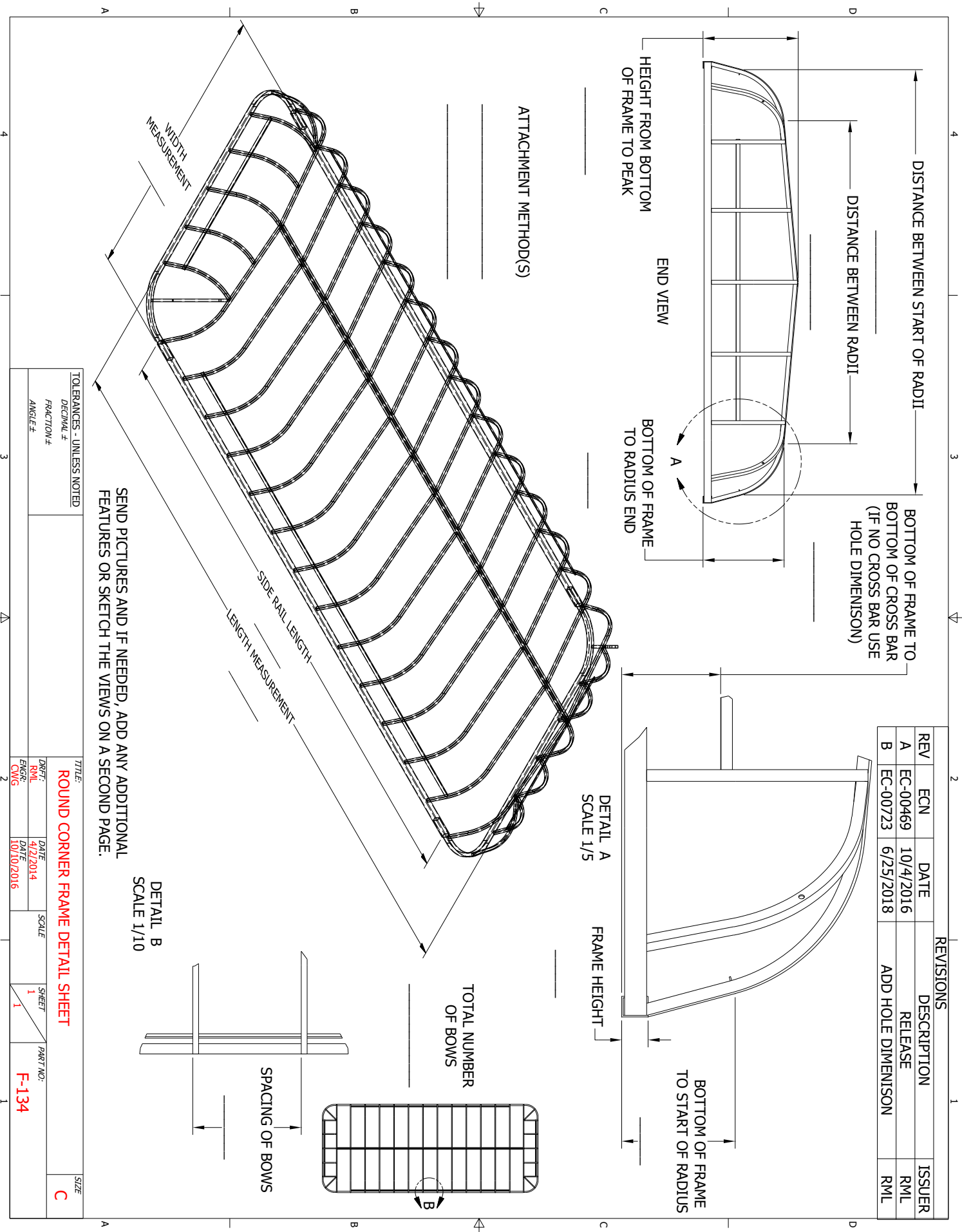
**NOTES**

\_\_\_\_\_

\_\_\_\_\_

\_\_\_\_\_

\_\_\_\_\_



SEND PICTURES AND IF NEEDED, ADD ANY ADDITIONAL FEATURES OR SKETCH THE VIEWS ON A SECOND PAGE.

REVISIONS				ISSUER
REV	ECN	DATE	DESCRIPTION	RML
A	EC-00469	10/4/2016	RELEASE	RML
B	EC-00723	6/25/2018	ADD HOLE DIMENSION	RML

TOLERANCES - UNLESS NOTED  
 DECIMAL #  
 FRACTION #  
 ANGLE #

TITLE:  
**ROUND CORNER FRAME DETAIL SHEET**

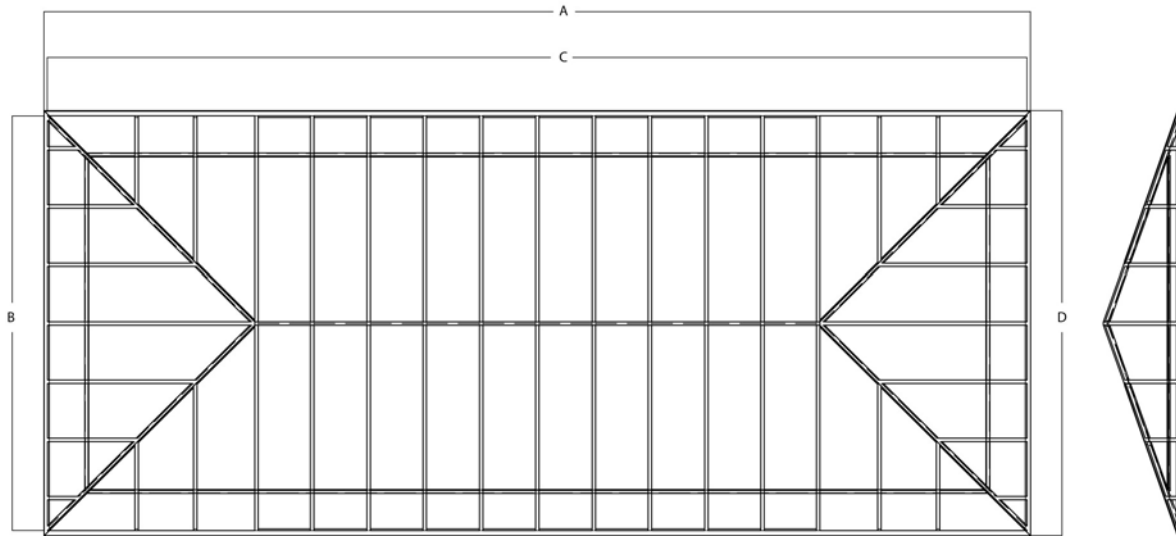
SIZE  
**C**

DRFT: RML	DATE 4/2/2014	SCALE	SHEET 1	PART NO.:	SIZE C
ENGR: CWS	DATE 10/10/2016		1	F-134	

Attn: \_\_\_\_\_



**Shoremaster® Hip Roof Frame  
Specification Sheet**



**\*ALL MEASUREMENTS (±1")**

PART NO.	SIZE	OVERALL LENGTH "A"	INSIDE WIDTH "B"	SIDE RAIL LENGTH "C"	OUTSIDE WIDTH "D"
SMH2400108	24' X 108"	24'	109"	23' 9"	112"
SMH2600108	26' X 108"	26'	109"	25' 9"	112"
SMH2800108	28' X 108"	28'	109"	27' 9"	112"
SMH2400120	24' X 120"	24'	121"	23' 9"	124"
SMH2600120	26' X 120"	26'	121"	25' 9"	124"
SMH2800120	28' X 120"	28'	121"	27' 9"	124"

**ATTACHMENT**

Hooked bungee connects to aluminum bar welded across bows.

**\*\*If dimensions don't match above,  
fill out detail on next page**

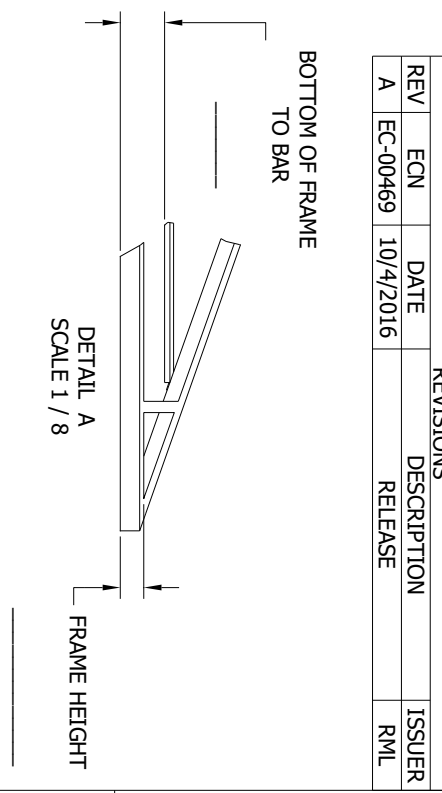
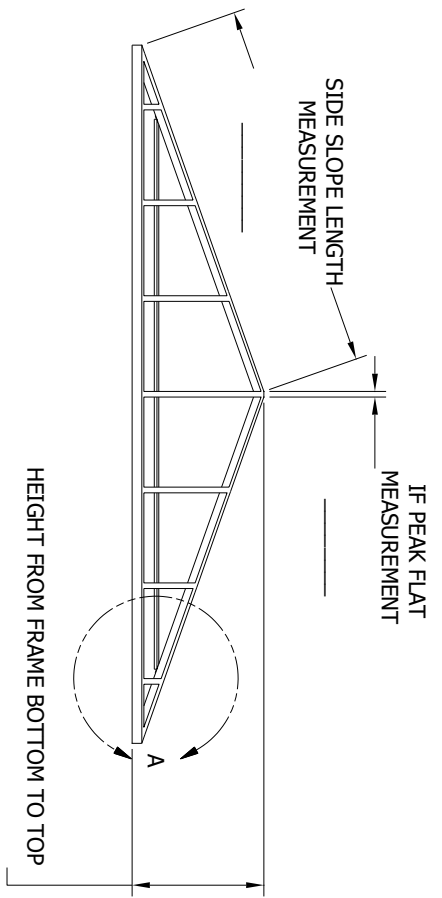
**OUTSIDE DIMENSIONS**

- A \_\_\_\_\_ OVERALL LENGTH OF FRAME
- B \_\_\_\_\_ INSIDE WIDTH OF FRAME
- C \_\_\_\_\_ LENGTH OF SIDE RAILS (W/O ENDS)
- D \_\_\_\_\_ OUTSIDE WIDTH OF FRAME

**NOTES**

\_\_\_\_\_  
 \_\_\_\_\_  
 \_\_\_\_\_

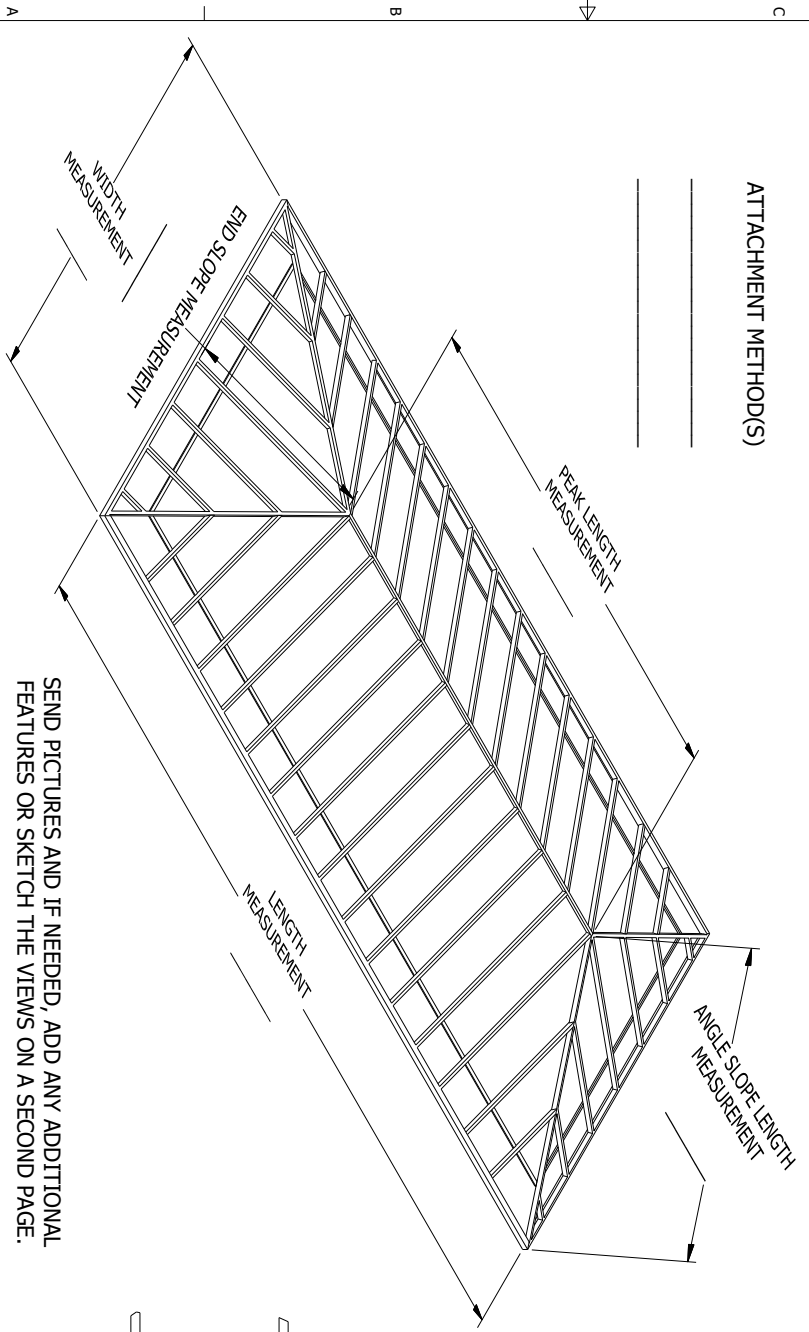
REVISIONS				ISSUER
REV	ECN	DATE	DESCRIPTION	RML
A	EC-00469	10/4/2016	RELEASE	RML



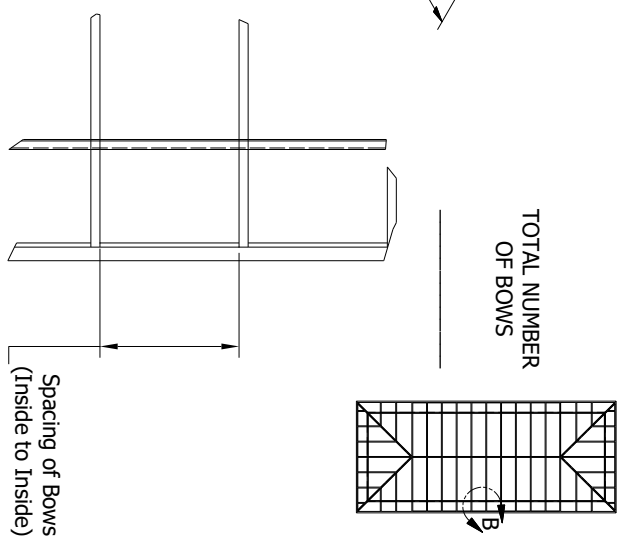
ATTACHMENT METHOD(S)

\_\_\_\_\_

\_\_\_\_\_



SEND PICTURES AND IF NEEDED, ADD ANY ADDITIONAL FEATURES OR SKETCH THE VIEWS ON A SECOND PAGE.



TOLERANCES - UNLESS NOTED

DECIMAL #  
FRACTION #  
ANGLE #

TITLE: **HIP FRAME DETAIL SHEET**

DRWR: RML  
ENGR: CWG

DATE: 1/30/2015  
DATE: 10/10/2016

SCALE

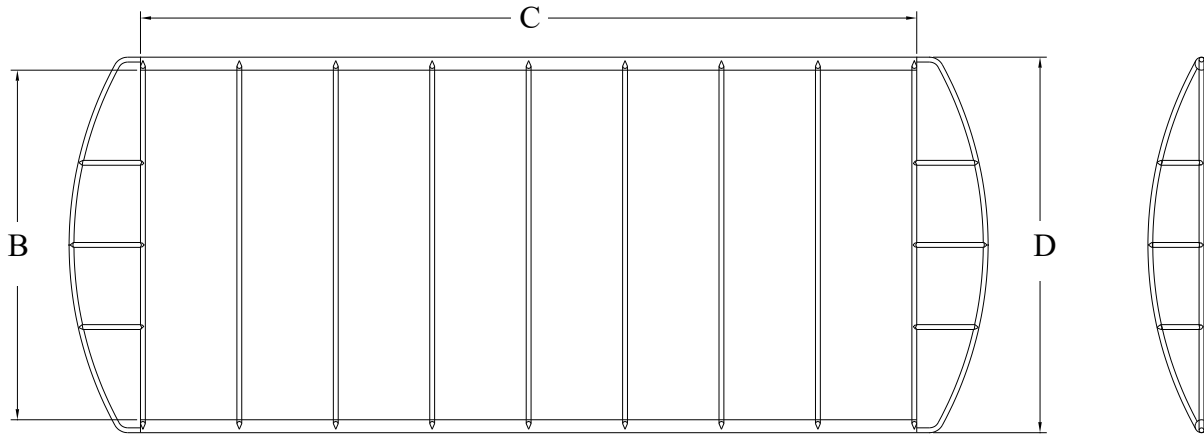
SHEET 1

PART NO: F-131

SIZE C

Attn: \_\_\_\_\_

**Shorestation™ Aluminum Frame  
Specification Sheet**



**\*ALL MEASUREMENTS (±1")**

PART NO.	SIZE	INSIDE WIDTH "B"	SIDE RAIL LENGTH "C"	OUTSIDE WIDTH "D"
SS1300062	13' X 62"	61 1/2"	11'	69 1/2"
SS2000088	20' X 88"	87 1/4"	18'	95 1/4"
SS1800100	18' X 100"	99 1/4"	16'	107 1/4"
SS2000100	20' X 100"	99 1/4"	18'	107 1/4"
SS2200100	22' X 100"	99 1/4"	20'	107 1/4"
SS1300108	13' X 108"	107 1/4"	11'	115 1/4"
SS2000108	20' X 108"	107 1/4"	18'	115 1/4"
SS2200108	22' X 108"	107 1/4"	20'	115 1/4"
SS2400108	24' X 108"	107 1/4"	22'	115 1/4"
SS2600108	26' X 108"	107 1/4"	24'	115 1/4"
SS2200120	22' x 120"	119 1/4"	20'	127 1/4"
SS2400120	24' X 120"	119 1/4"	22'	127 1/4"
SS2600120	26' X 120"	119 1/4"	24'	127 1/4"
SS2800120	28' X 120"	119 1/4"	26'	127 1/4"
SS3000120	30' X 120"	119 1/4"	28'	127 1/4"
SS2600132	26' X 132"	131 1/4"	24'	139 1/4"
SS3000132	30' X 132"	131 1/4"	28'	139 1/4"
SS3400132	34' X 132"	131 1/4"	32'	139 1/4"
SS3600144	36' X 144"	131 1/4"	34'	139 1/4"
SS4000144	40' X 144"	143 1/4"	38'	151 1/4"

\*Length is determined by adding 2' to Dimension 'C'.  
Dimension A is not used in the named size.

**ATTACHMENT**

Continuous bungee on each side and end connect by s-hook to holes punched in each bow  
OR

Continuous bungee loops over plastic pucks at each bow

STANDARD VALANCE: 20" VALANCE

**OUTSIDE DIMENSIONS**

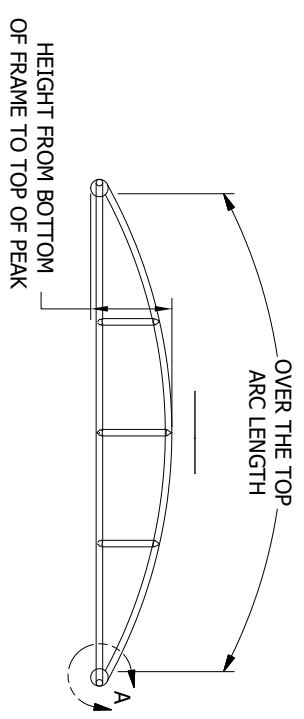
- A \_\_\_\_\_ OVERALL LENGTH OF FRAME
- B \_\_\_\_\_ INSIDE WIDTH OF FRAME
- C \_\_\_\_\_ LENGTH OF SIDE RAILS (W/O ENDS)
- D \_\_\_\_\_ OUTSIDE WIDTH OF FRAME

**\*\*If dimensions don't match above,  
fill out detail on next page**

**NOTES**

\_\_\_\_\_  
\_\_\_\_\_  
\_\_\_\_\_  
\_\_\_\_\_

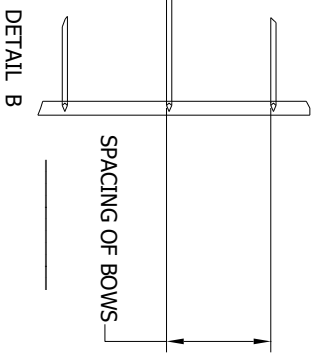
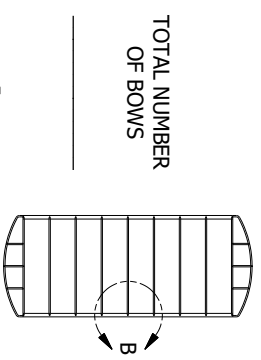
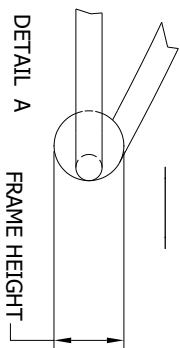
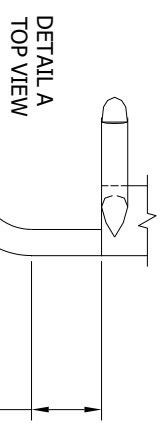
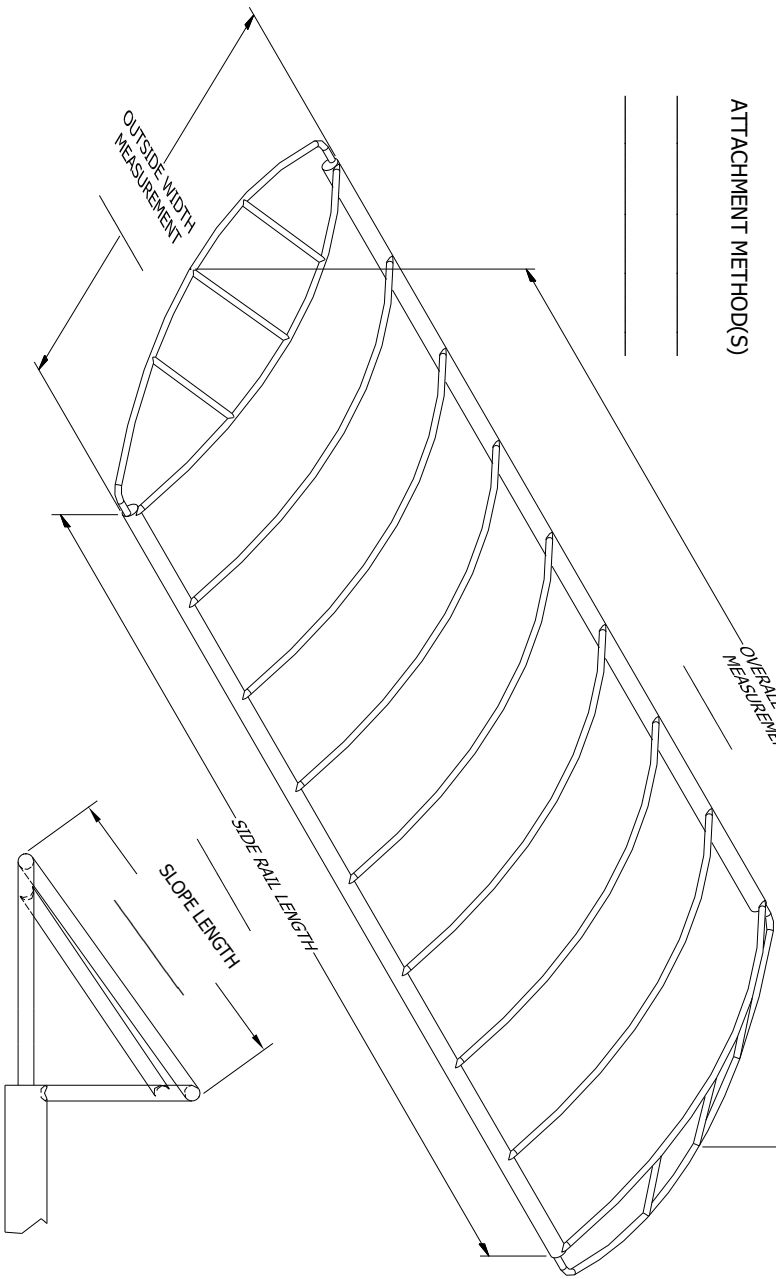
REVISIONS				ISSUER
REV	ECN	DATE	DESCRIPTION	RML
A	EC-00469	10/4/2016	RELEASE	



ATTACHMENT METHOD(S)

OVERALL LENGTH MEASUREMENT

SEND PICTURES AND IF NEEDED, ADD ANY ADDITIONAL FEATURES OR SKETCH THE VIEWS ON A SECOND PAGE.



TOLERANCES - UNLESS NOTED

DECIMAL #  
FRACTION #  
ANGLE #

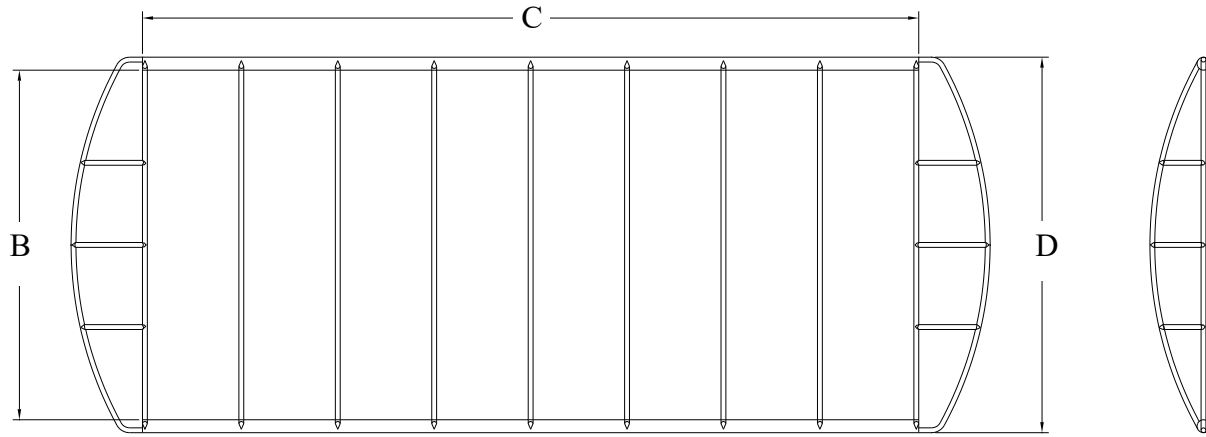
TITLE: **ROUNDED END FRAME DETAIL SHEET**

DRWF	DATE	SCALE	SHEET	PART NO.
RML	4/10/2014		1	F-135
ENGR	DATE			
OWG	10/10/2016			

SIZE **C**

Attn: \_\_\_\_\_

**Shorestation™ Midwest Steel  
Frame Specification Sheet**



**\*ALL MEASUREMENTS (±1")**

PART NO.	SIZE	INSIDE WIDTH "B"	SIDE RAIL LENGTH "C"	OUTSIDE WIDTH "D"
MS1900082	19' X 82"	82"	16' 4"	89"
MS1900098	19' X 98"	98"	16' 4"	105"
MS2100098	21' X 98"	98"	18' 4"	105"
MS2300098	23' X 98"	98"	20' 4"	105"
MS2300110	23' X 110"	110"	20' 4"	117"

**ATTACHMENT**

Continuous bungee on each side and end connect by s-hook to holes punched in each bow

OR

Continuous bungee loops over plastic pucks at each bow

**\*\*If dimensions don't match above,  
fill out detail on next page**

STANDARD VALANCE: 20" VALANCE

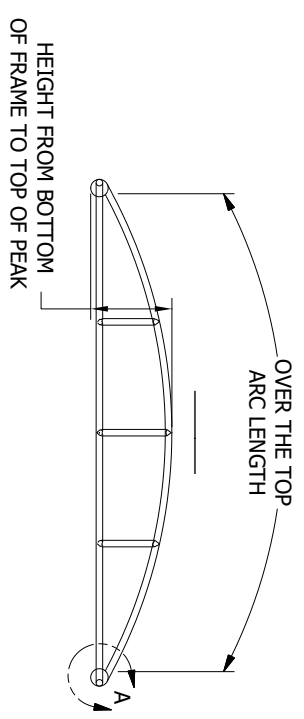
**OUTSIDE DIMENSIONS**

- A \_\_\_\_\_ OVERALL LENGTH OF FRAME
- B \_\_\_\_\_ INSIDE WIDTH OF FRAME
- C \_\_\_\_\_ LENGTH OF SIDE RAILS (W/O ENDS)
- D \_\_\_\_\_ OUTSIDE WIDTH OF FRAME

**NOTES**

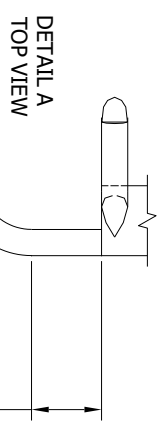
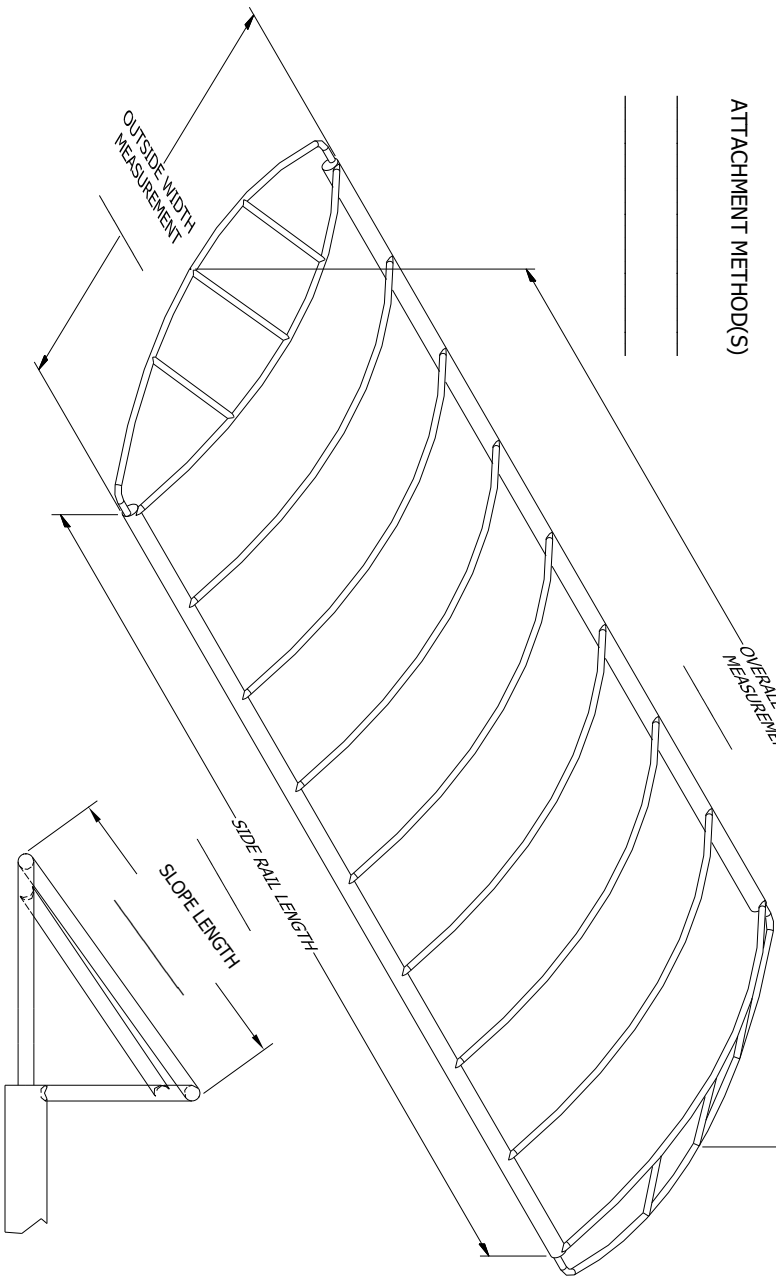
\_\_\_\_\_  
\_\_\_\_\_  
\_\_\_\_\_

REVISIONS				ISSUER
REV	ECN	DATE	DESCRIPTION	RML
A	EC-00469	10/4/2016	RELEASE	

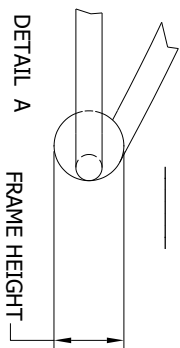


ATTACHMENT METHOD(S)

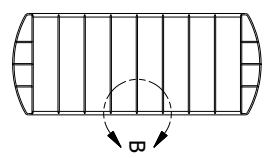
OVERALL LENGTH MEASUREMENT



END OF SIDE RAIL TO START OF RADIUS



TOTAL NUMBER OF BOWS



SPACING OF BOWS

DETAIL B

SEND PICTURES AND IF NEEDED, ADD ANY ADDITIONAL FEATURES OR SKETCH THE VIEWS ON A SECOND PAGE.

TOLERANCES - UNLESS NOTED

DECIMAL #  
FRACTION #  
ANGLE #

TITLE: **ROUNDED END FRAME DETAIL SHEET**

DRWF	DATE	SCALE	SHEET	PART NO.
RML	4/10/2014		1	F-135
ENGR	DATE			
OWG	10/10/2016			

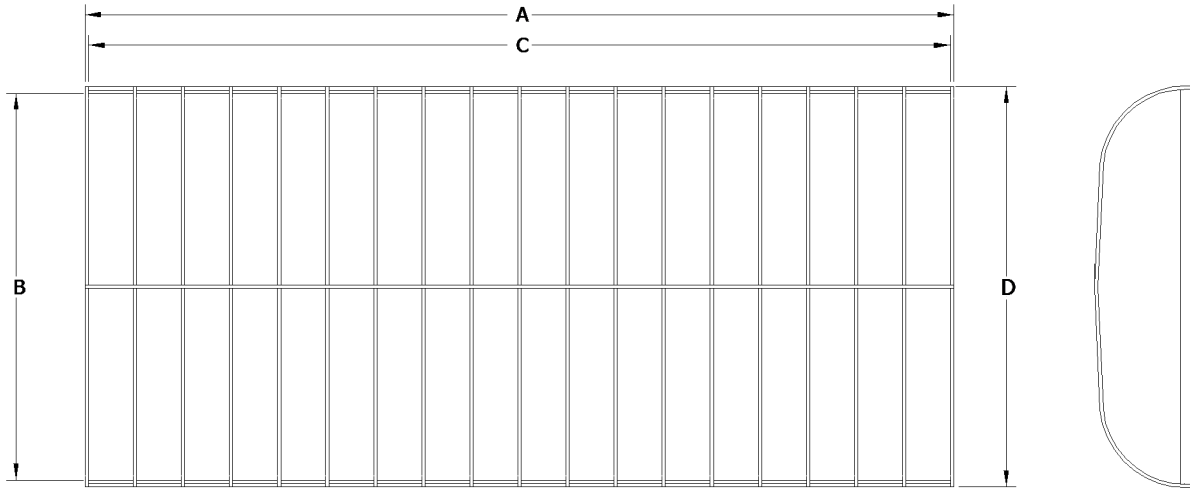
SIZE C



Attn: \_\_\_\_\_



**Vibo® Frame Specification Sheet**



**\*ALL MEASUREMENTS (±1")**

PART NO.	SIZE	OVERALL LENGTH "A"	INSIDE WIDTH "B"	SIDE RAIL LENGTH "C"	OUTSIDE WIDTH "D"
VB2000096	20' X 96"	20'	96"	19' 8"	102"
VB2200096	22' X 96"	22'	96"	21' 8"	102"
VB2400096	24' X 96"	24'	96"	23' 8"	102"
VB2600096	26' X 96"	26'	96"	25' 8"	102"
VB2800096	28' X 96"	28'	96"	27' 8"	102"
VB2000108	20' X 108"	20'	108"	19' 8"	114"
VB2200108	22' X 108"	22'	108"	21' 8"	114"
VB2400108	24' X 108"	24'	108"	23' 8"	114"
VB2600108	26' X 108"	26'	108"	25' 8"	114"
VB2800108	28' X 108"	28'	108"	27' 8"	114"
VB2200114	22' X 114"	22'	114"	21' 8"	120"
VB2400114	24' X 114"	24'	114"	23' 8"	120"
VB2600114	26' X 114"	26'	114"	25' 8"	120"
VB2800114	28' X 114"	28'	114"	27' 8"	120"
VB2200120	22' X 120"	22'	120"	21' 8"	126"
VB2400120	24' X 120"	24'	120"	23' 8"	126"
VB2600120	26' X 120"	26'	120"	25' 8"	126"
VB2800120	28' X 120"	28'	120"	27' 8"	126"

**ATTACHMENT**

Continuous bungee runs along all four sides and loops over a small hook attached to each bow.

STANDARD VALANCE: 10" VALANCE

**OUTSIDE DIMENSIONS**

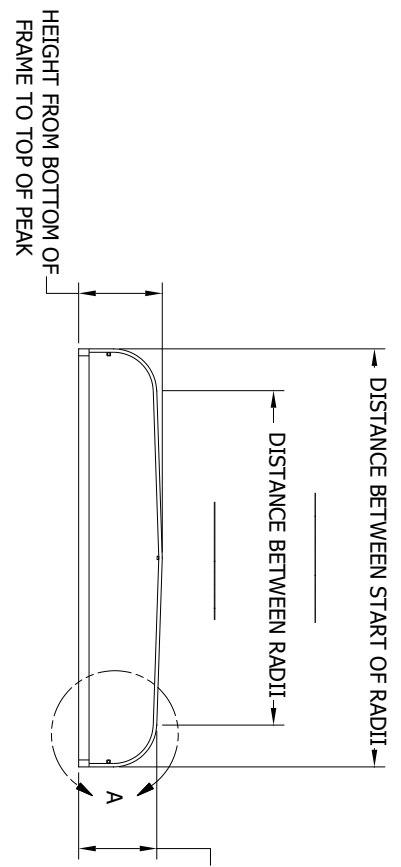
- A \_\_\_\_\_ OVERALL LENGTH OF FRAME
- B \_\_\_\_\_ INSIDE WIDTH OF FRAME
- C \_\_\_\_\_ LENGTH OF SIDE RAILS (W/O ENDS)
- D \_\_\_\_\_ OUTSIDE WIDTH OF FRAME

**\*\*If dimensions don't match above, fill out detail on next page**

**NOTES**

\_\_\_\_\_  
 \_\_\_\_\_  
 \_\_\_\_\_

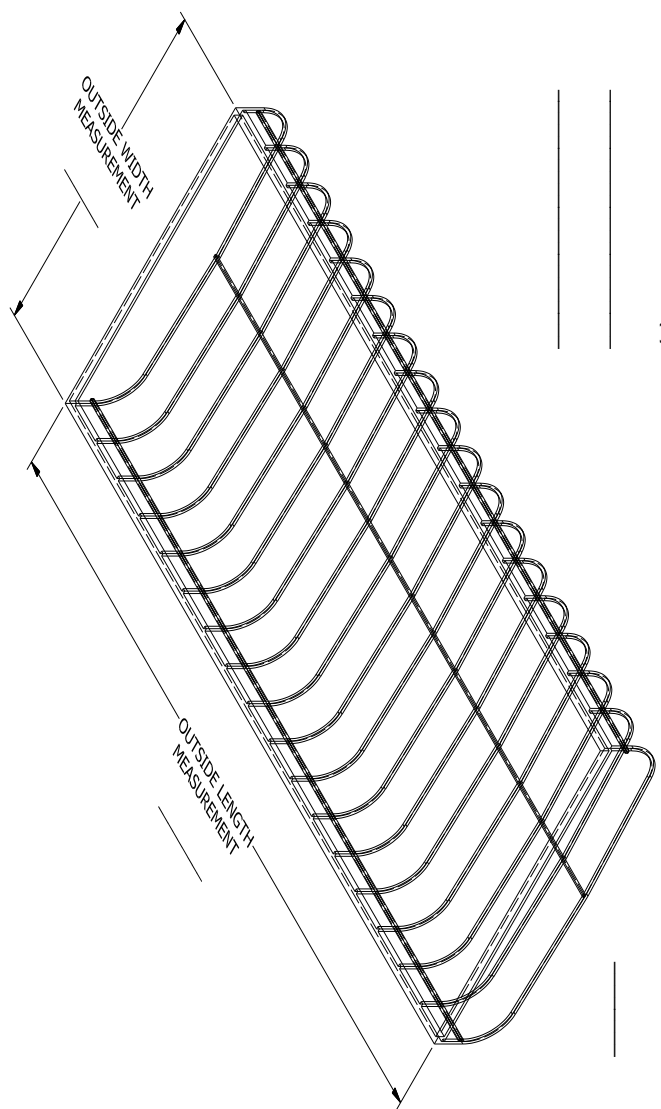
REVISIONS				ISSUER
REV	ECN	DATE	DESCRIPTION	RML
A	EC-00469	10/4/2016	RELEASE	



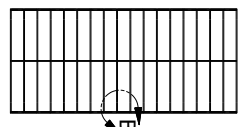
ATTACHMENT METHOD(S)



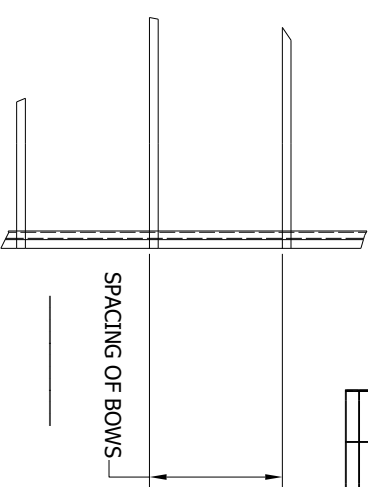
DETAIL A



TOTAL NUMBER OF BOWS



SPACING OF BOWS



SEND PICTURES AND IF NEEDED, ADD ANY ADDITIONAL FEATURES OR SKETCH THE VIEWS ON A SECOND PAGE.

DETAIL B

TOLERANCES - UNLESS NOTED

DECIMAL #  
FRACTION #  
ANGLE #

DRFR: TJS  
ENGR: CMG

DATE: 4/10/2014  
DATE: 10/10/2016

SCALE

SHEET 1

PART NO. F-130

SIZE C